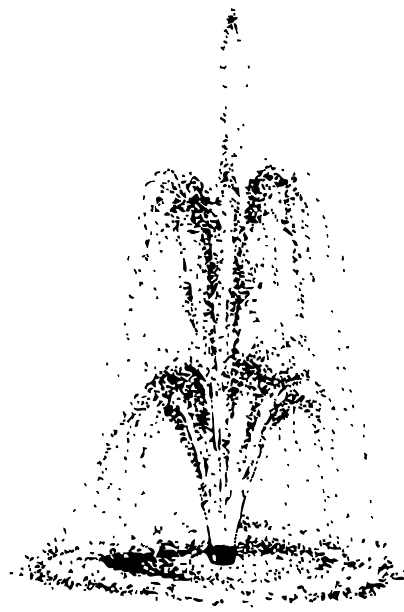


O W N E R ' S M A N U A L

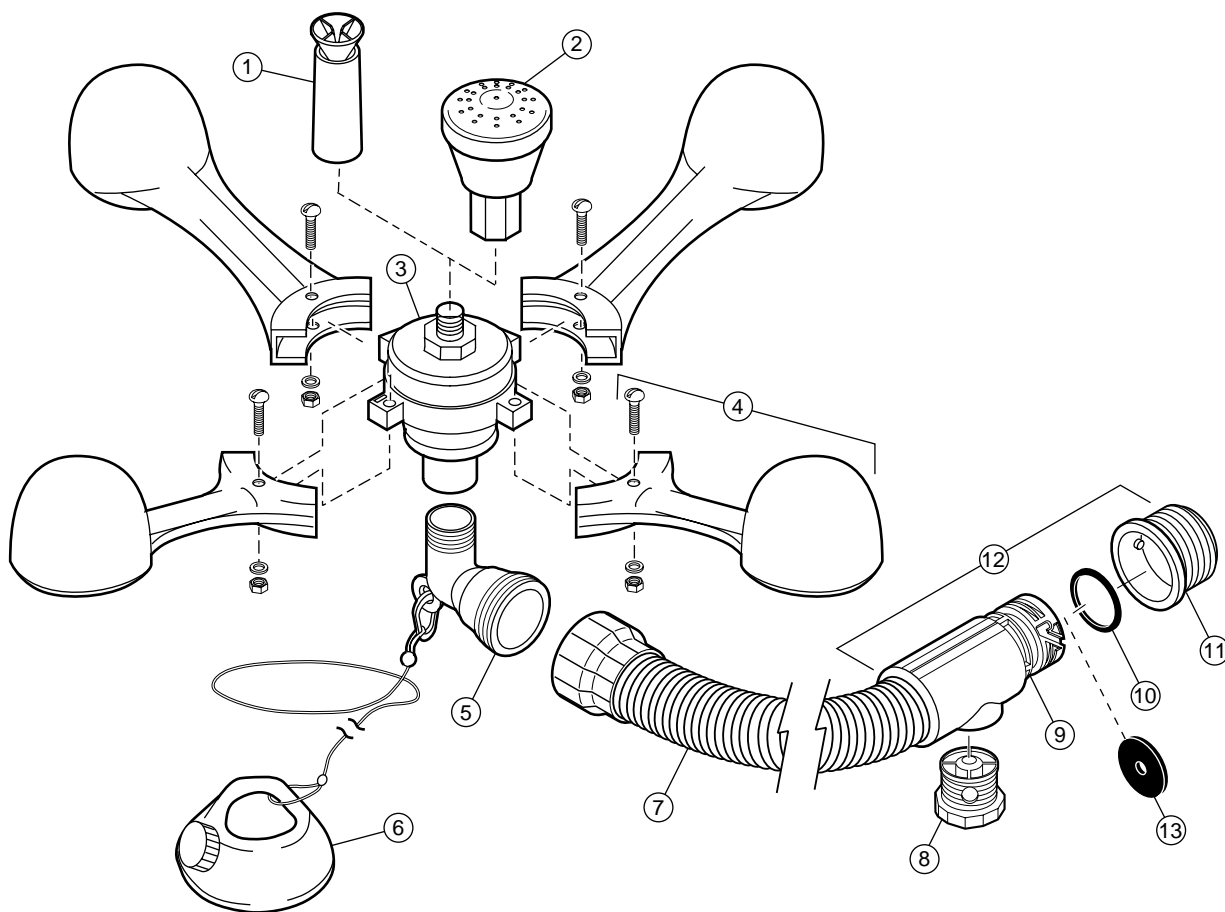


 **PolarisWaterStars**

IMPORTANT INFORMATION

Polaris WaterStars

Exploded Parts Diagram



No.	Part #	Description	Qty
1	7-240-00	Fountain Head, Glory	1
2	7-230-00	Fountain Head, 3-tier	1
3	7-225-00	Center Assembly	1
4	7-200-00	Pod	4
5	7-260-00	Elbow	1
6	7-270-00	Anchor Assembly	1
7	7-310-00	Hose Kit, 10 Foot	1
8	11-203-00	Adjustable Plug, UWF	1
9	6-502-00	Quick Disconnect, UWF	1
10	6-505-00	O-ring, UWF/QD	1
11	6-500-00	Universal Wall Fitting (UWF)	1
12	7-295-00	UWF Connector Assembly	1
13	11-103-00	Restrictor Washer	1

To ensure proper operation and long life for the Polaris, be sure to insist on genuine Polaris parts.

I. Introduction

Your new Polaris WaterStars will create a beautiful fountain from the pressure of a typical filtration pump. The greater the water pressure delivered to the WaterStars, the higher your fountain display can be.

The WaterStars comes with the universal wall fitting connector assembly. Once the universal wall fitting is installed, it is possible to quickly and easily switch from a Polaris pool cleaner to the Polaris WaterStars and back again. If the pool cleaner is not equipped with a quick disconnectXXX to fitting the universal wall fitting, it can be converted to this improved system with parts available through a participating Polaris dealer.

If you do not currently have a pool cleaner, please see Section V on page 3 for instruction about Polaris automatic pool cleaners.

II. Installation Instructions

A. WaterStars Components

The Polaris WaterStars box contains:

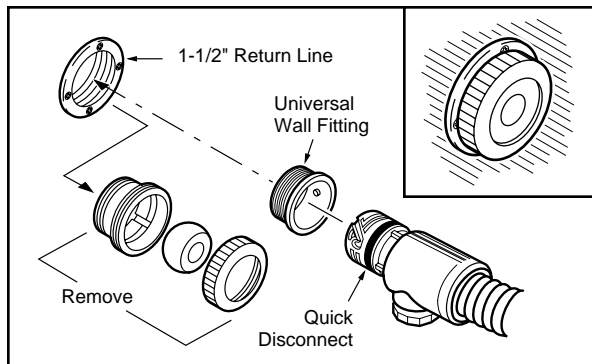
- Center Assembly with Pods
- 3-tier Fountain Head
- Glory Fountain Head
- 90-degree Elbow
- Anchor Assembly
- Complete Hose Assembly with Quick Disconnect and Universal Wall Fitting
- Restrictor Washer

B. Installing the Universal Wall Fitting

Note: It is important to have a clean pool filter before installing the WaterStars.

1. Turn on the pool filtration pump and flush out the plumbing line. Turn off the pump.
2. Unscrew the universal wall fitting from the quick disconnect
 - If the return line has 1-1/2" female threads exposed, screw in the universal wall fitting by hand. Turn the quick disconnect clockwise into the universal wall fitting to tighten it into place. Once the universal wall fitting is secure, the quick disconnect can be removed without reusing the universal wall fitting.

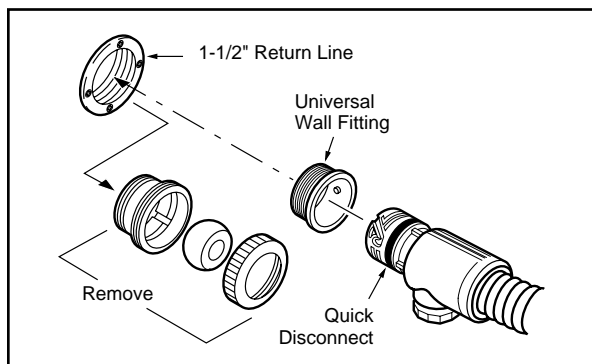
- If the return line for the Polaris looks like the one below, remove the parts shown and install the universal wall fitting as described above.



NOTE: If the pool does not have a 1-1/2" threaded fitting, a special adapter kit will be required to install the WaterStars. For further information, contact your participating Polaris dealer.

C. Assembling the WaterStars

1. Select either the 3-tiered fountain head or the glory fountain head. Save the unused head so you can change the water display as desired. Screw the head onto the center assembly, being careful not to over tighten.
2. Screw the small end of the elbow into the bottom of the center assembly
3. Remove the cap from the anchor and fill it with sand or small rocks. Add water to eliminate any air inside the anchor and screw on the cap.
4. Attach the clip on the end of the anchor cord to the eyelet on the elbow.
5. Attach the hose to the large end of the elbow.
6. With the pool filtration pump off, connect the hose to the pool wall by turning the quick disconnect clockwise into the universal wall fitting. Pull away from the pool wall to secure.



7. Unscrew the adjustable plug to completely expose the holes before turning on the WaterStars. After the initial option, the adjustable plug can be adjusted (see Section III).

Please Note: Once the WaterStars is in the pool, the pods should fill with enough water to float evenly on the surface of the pool.

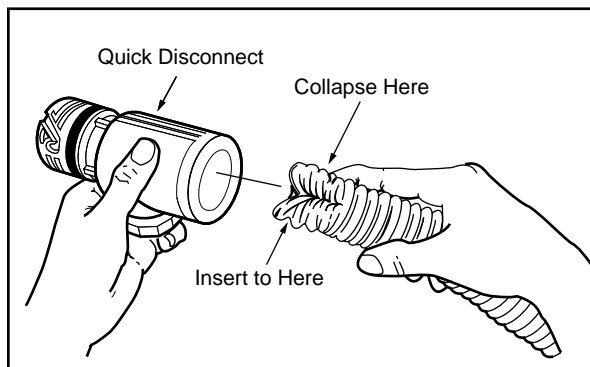
8. Pull the fountain to the desired location in the pool. If the fountain will not reach the desired area, you may want to add an additional ten foot hose section available through a participating Polaris dealer (part #7-310-00).

If the fountain will not remain in the desired area, or if it will not anchor properly, you may want to shorten the hose as described below.

D. Cutting the Hose

Please remember that once the hose has been cut, it may be too short for the fountain to be moved to a new location at a later time.

1. After choosing the desired location for the fountain, measure the amount of hose that you wish to remove and disconnect the WaterStars from the pool wall.
2. Collapse the hose inside the quick disconnect with your fingers and pull off the



quick disconnect.

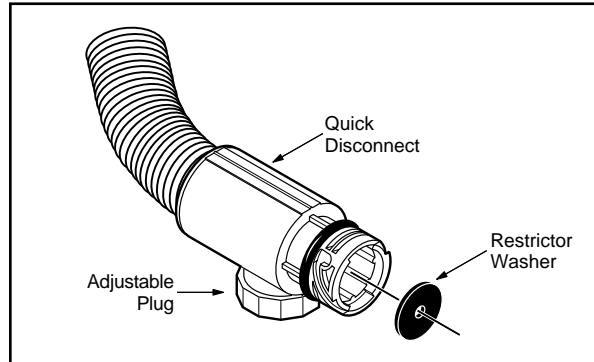
3. Cut off the desired amount of hose.
4. Recollapse the hose and slide it back into the quick disconnect. Be sure only one hose corrugation is inside the lip of the quick disconnect.

5. Remove the adjustable plug and slide your finger through the opening to pop the hose back to its original shape. Replace the adjustable plug and reconnect the WaterStars to the pool wall.

III. Adjustments

A. Fountain Height Adjustment

An adjustable plug is installed in the quick disconnect to allow the height of the fountain to be manually adjusted. Loosening the adjustable

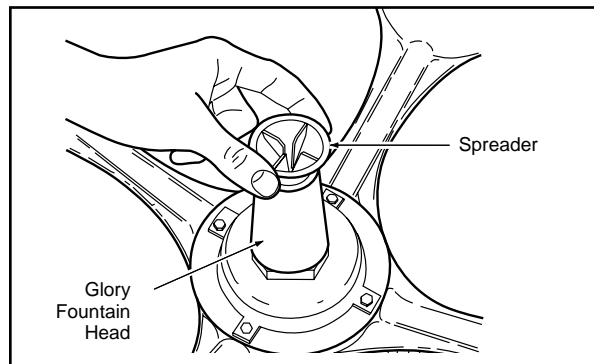


plug will decrease the height of the fountain, while tightening the plug will increase it.

If you have a Polaris 380, 280, or 180 and have too much water pressure, you will need to install the restrictor washer included with the fountain. Snap the restrictor washer into the quick disconnect. If you still have too much water pressure, call our Customer Service Department at 1-800-VAC-SWEEP.

B. Glory Display Presentation

Tightening or loosening the spreader in combination with tightening or loosening the adjustable plug will vary the display of the glory fountain head. Experiment with different combinations of the two adjustments until you are satisfied with the water display.



IV. Storage

Store the WaterStars in a secure place out of direct sun light; the original box serves as an excellent storage container. Take care to drain the WaterStars, especially if it will be stored where it will be subjected to freezing temperatures. When storing the WaterStars for the winter, remove the universal wall fitting. With the quick disconnect attached to the universal wall fitting, pull the quick disconnect away from the wall while unscrewing the universal wall fitting. Leave the universal wall fitting attached to the quick disconnect during storage. In some cases, it may be necessary to use the universal wall fitting removal tool (part #10- 00), available from your participating Polaris dealer.



Limited Warranty Polaris WaterStars

You have just purchased one of the finest spa and pool products made. It is warranted for one year, subject to the following terms and conditions:

1. WaterStars is warranted to the original owner for one year from the date of chase with proof of purchase. This warranty covers defects in materials and workmanship.

2. Parts returned under this warranty will be inspected. XXage which, in our judgment, occurred because of misuse, negligence or accident is not covered by this warranty. This warranty is void if the product has been altered or tampered with in any way, or if the serial number has been effaced, altered, or removed. Normal wear because of ordinary usage is not covered under this warranty.

3. The WaterStars owner may send parts presumed defective directly to Polaris Pool Systems, Inc., freight prepaid. Polaris agrees that the products are defective and covered by this warranty, Polaris will repair or replace, at its option, and return the parts freight pre-paid, with no charge for repairs.

THIS LIMITED WARRANTY IS IN LIEU OF ALL OTHER WARRANTIES, EXPRESSED OR IMPLIED, INCLUDING THE IMPLIED WARRANTIES OF MERCHANTABILITY AND FITNESS FOR A PARTICULAR PURPOSE, AND ALL SUCH OTHER WARRANTIES ARE DISCLAIMED EXCEPT TO THE EXTENT ANY IMPLIED WARRANTY MAY BE IMPOSED BY STATE CONSUMER LAW. ANY SUCH IMPLIED WARRANTY IMPOSED BY STATE CONSUMER LAW IS LIMITED IN DURATION TO ONE (1) YEAR FROM THE DATE OF PURCHASE.

IN NO EVENT SHALL POLARIS BE LIABLE FOR INITIAL OR CONSEQUENTIAL DAMAGES OF ANY NATURE OR KIND, OR FOR DAMAGES TO PERSONS OR PROPERTY.

Some states do not allow limitations on how long an implied warranty lasts, or the exclusion or limitation of initial or consequential damages, so the above limitations may not apply to you.

This limited warranty is valid only in the United States of America and Canada, and it does not apply to Polaris fountains sold or installed in any other country.



USA: 2620 Commerce Way, Vista, CA 92083-8438 • 760-599-9600 • 1-800-VAC-SWEEP (USA and Canada only)
Australia: Unit 18, 1-7 Short Street, Chatswood, NSW 2067 • 02-9882-1111 • ACN 080 168 092
www.polarispoolsystems.com