



Alta Waterfall
Part # 4100



Keystone Waterfall
Part # 4200



Taos Waterfall
Part # 4300



Nautilus Waterfall
Part # 4600



Grotto Fountain
Part # 3760



Aspen Waterfall
Part # 4400



Flowing Wells Fountain
Part # 3700



Millstone Fountain
Part # 3300



Vail Waterfall
Part # 4500



Broken Stone Fountain
Part # 3750



Stone Pillar Fountain
Part # 3400

FEATURES:

- Durable, Rugged, & Light Weight Polyurea Construction
- Recommended for Pool, Pond, or Spa Applications
- Molded from Actual Rock Outcroppings for Realistic Look
- Available Boulder Accent Packages Matched for an Extended Natural Landscape Zone
- Available in 4 Colors; Hues May Vary
- Color is Chemically Bonded to Undercoat

Boulder Springs Rock Colors = Sandstone: -20; Slate Gray: -21; Light Granite: -22; Sunset Red: -23
(add custom color code behind part # when ordering)



Part # 4100

FEATURES:

- Durable, Rugged, & Light Weight Polyurea Construction
- 2nd Smallest Waterfall in the Echoes of Nature™ Collection
- Recommended for Pool, Pond, or Spa Applications
- Rated at 350 Gallons Per Hour
- Available in 4 Colors; Hues May Vary
- Color is Chemically Bonded to Undercoat

We recommend the following accent boulders be matched with this waterfall for an extended natural zone:

Accent Boulders: 8100 (2 Boulders)

Boulder Springs Rock Colors = Sandstone: -20; Slate Gray: -21; Light Granite: -22; Sunset Red: -23
(add custom color code behind part # when ordering)

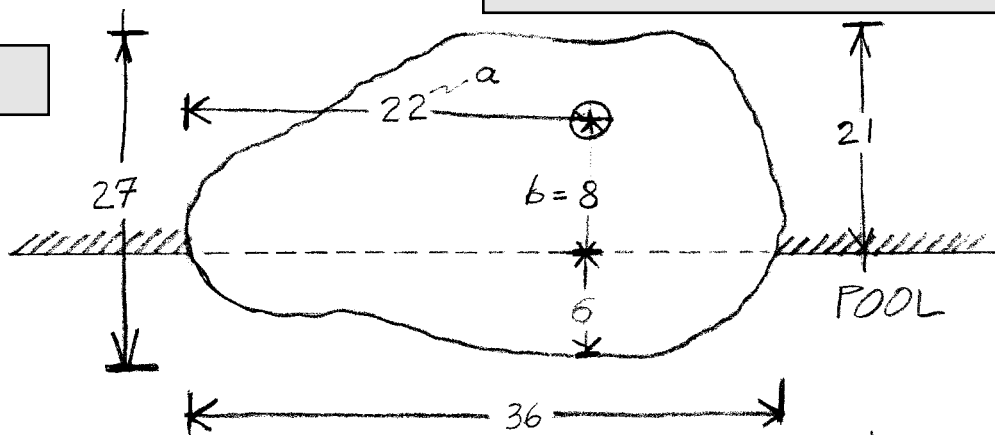
To Find Stub Up Location:

Refer to dimension "a" & "b" in sketch.

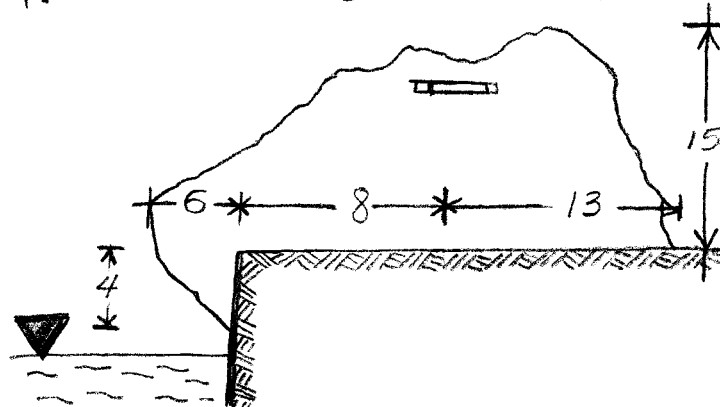
WATERFALL DIMENSIONS - 4100

Length = 36"
Height = 15"
Width = 27"

TOP VIEW



SIDE VIEW



NOTE: All sizes +/- 2". Please check website for most current sizes & weights. (inter-fab.com)



Part # 4200

FEATURES:

- Durable, Rugged, & Light Weight Polyurea Construction
- Recommended for Pool, Pond, or Spa Applications
- Rated at 500 Gallons Per Hour
- Available in 4 Colors; Hues May Vary
- Color is Chemically Bonded to Undercoat

Boulder Springs Rock Colors = Sandstone: -20;
Slate Gray: -21; Light Granite: -22; Sunset Red: -23
(add custom color code behind part # when ordering)

We recommend the following accent boulders be matched with this waterfall for an extended natural zone:

Accent Boulders: 8200 (2 Boulders)

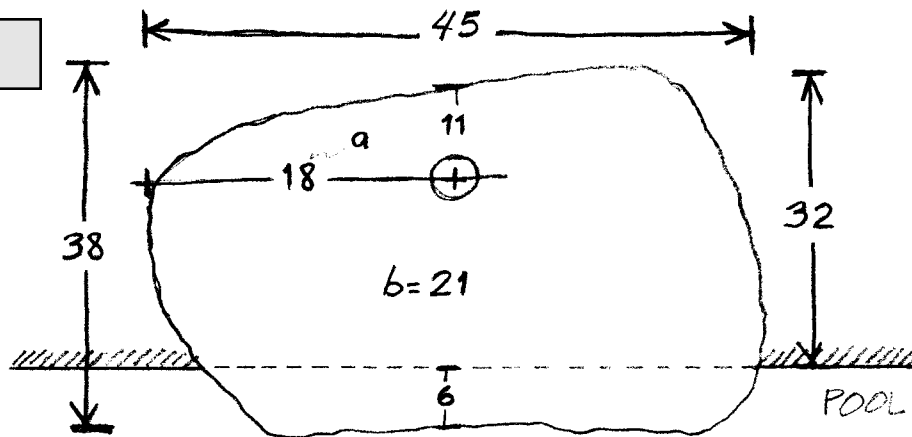
To Find Stub Up Location:

Refer to dimension "a" & "b" in sketch.

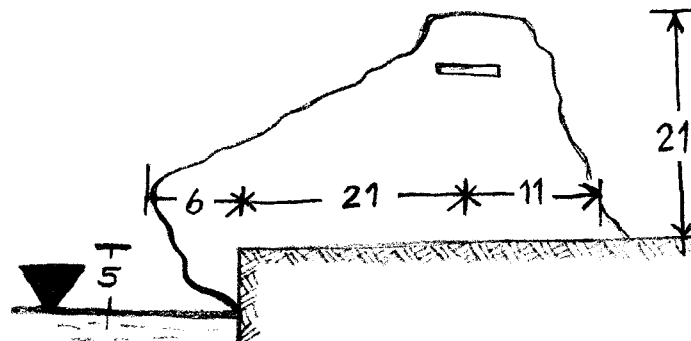
WATERFALL DIMENSIONS - 4200

Length = 45"
Height = 21"
Width = 38"

TOP VIEW



SIDE VIEW



NOTE: All sizes +/- 2". Please check website for most current sizes & weights. (inter-fab.com)



Part # 4300

We recommend the following accent boulders be matched with this waterfall for an extended natural zone:

Accent Boulders: 8300 (2 Boulders)

FEATURES:

- Durable, Rugged, & Light Weight Polyurea Construction
- Recommended for Pool, Pond, or Spa Applications
- Rated at 950 Gallons Per Hour
- Available in 4 Colors; Hues May Vary
- Color is Chemically Bonded to Undercoat

Boulder Springs Rock Colors = Sandstone: -20; Slate Gray: -21; Light Granite: -22; Sunset Red: -23
(add custom color code behind part # when ordering)

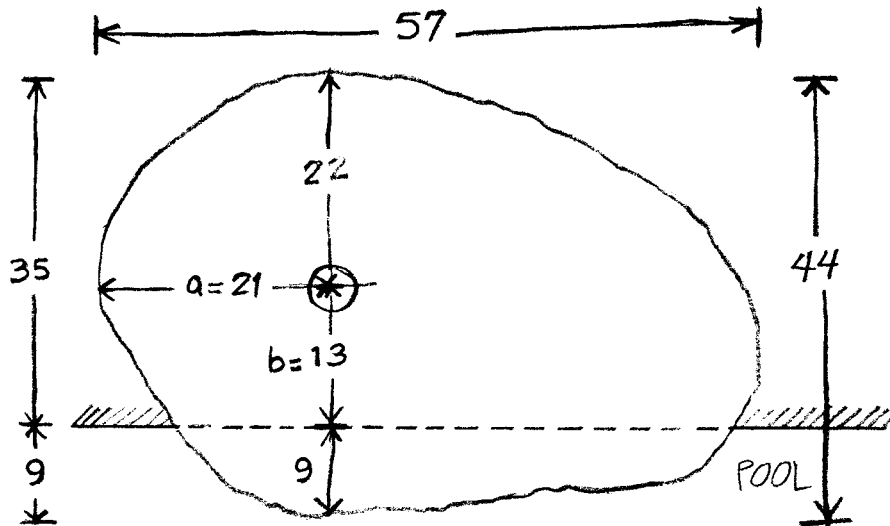
To Find Stub Up Location:

Refer to dimension "a" & "b" in sketch.

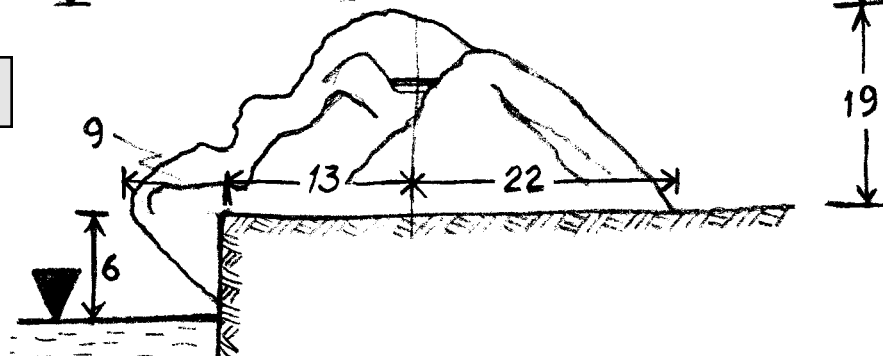
WATERFALL DIMENSIONS - 4300

Length = 57"
Height = 19"
Width = 44"

TOP VIEW



SIDE VIEW



NOTE: All sizes +/- 2". Please check website for most current sizes & weights. (inter-fab.com)



Part # 4400

We recommend the following accent boulders be matched with this waterfall for an extended natural zone:

Accent Boulders: 8400 (3 Boulders)

FEATURES:

- Durable, Rugged, & Light Weight Polyurea Construction
- Recommended for Large Pond or Pool Application
- Rated at 2400 Gallons Per Hour
- Available in 4 Colors; Hues May Vary
- Color is Chemically Bonded to Undercoat

Boulder Springs Rock Colors = Sandstone: -20; Slate Gray: -21; Light Granite: -22; Sunset Red: -23
(add custom color code behind part # when ordering)

To Find Stub Up Location:

Refer to dimension "a" & "b" in sketch.

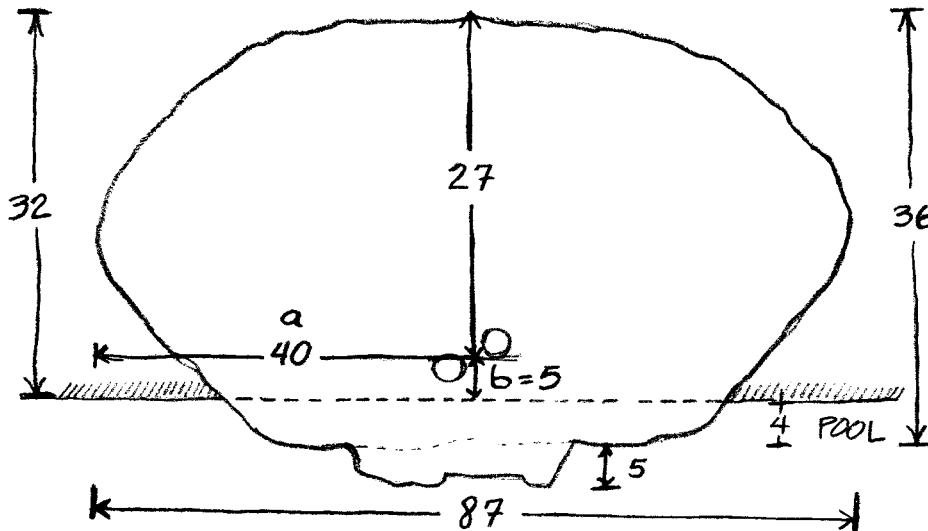
WATERFALL DIMENSIONS - 4400

Length = 87"

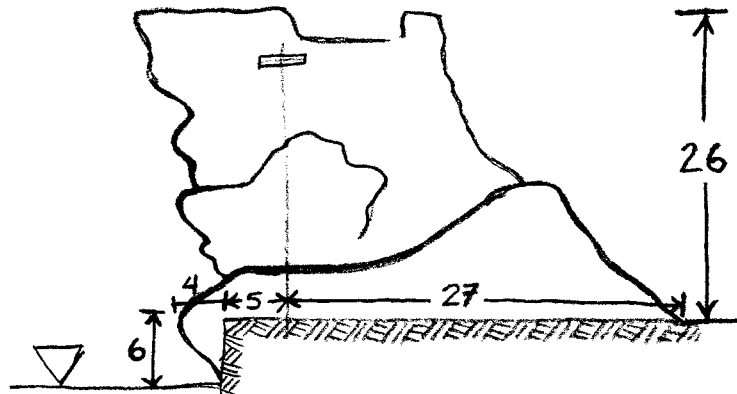
Height = 26"

Width = 36"

TOP VIEW



SIDE VIEW



NOTE: All sizes +/- 2". Please check website for most current sizes & weights. (inter-fab.com)



Part # 4500

FEATURES:

- Durable, Rugged, & Light Weight Polyurea Construction
- Recommended for Large Pond or Pool Application
- Rated at 2400 Gallons Per Hour
- Available in 4 Colors; Hues May Vary
- Color is Chemically Bonded to Undercoat

We recommend the following accent boulders be matched with this waterfall for an extended natural zone:

Accent Boulders: 8500 (3 Boulders)

Boulder Springs Rock Colors = Sandstone: -20; Slate Gray: -21; Light Granite: -22; Sunset Red: -23
(add custom color code behind part # when ordering)

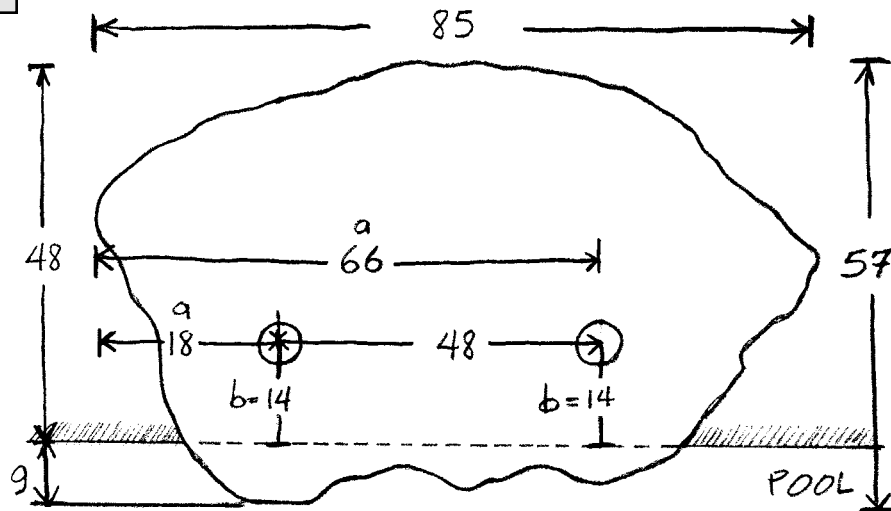
To Find Stub Up Location:

Refer to dimension "a" & "b" in sketch.

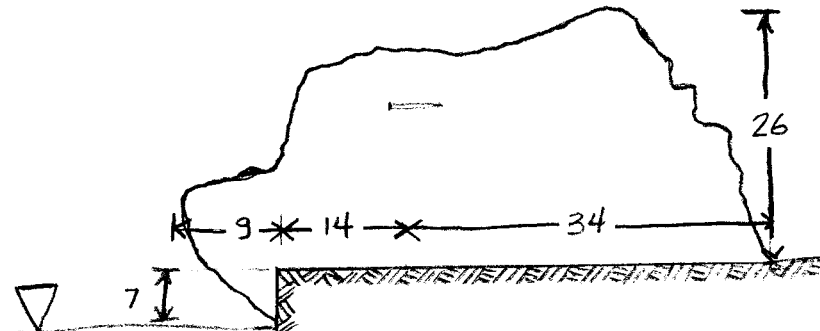
WATERFALL DIMENSIONS - 4500

Length = 85"
Height = 26"
Width = 57"

TOP VIEW



SIDE VIEW



NOTE: All sizes +/- 2". Please check website for most current sizes & weights. (inter-fab.com)



Part # 4600

FEATURES:

- Durable, Rugged, & Light Weight Polyurea Construction
- Recommended for Pond Use
- Rated at 350 Gallons Per Hour
- Available in 4 Colors; Hues May Vary
- Color is Chemically Bonded to Undercoat

Boulder Springs Rock Colors = Sandstone: -20;
 Slate Gray: -21; Light Granite: -22; Sunset Red: -23
(add custom color code behind part # when ordering)

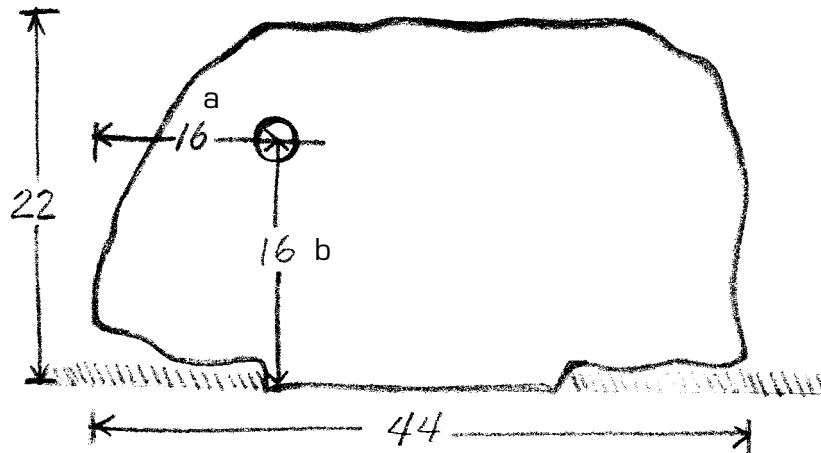
WATERFALL DIMENSIONS - 4600

Length = 44"
Height = 15"
Width = 22"

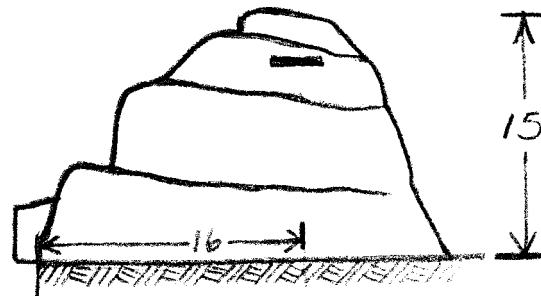
To Find Stub Up Location:

Refer to dimension "a" & "b" in sketch.

TOP VIEW



SIDE VIEW



NOTE: All sizes +/- 2". Please check website for most current sizes & weights. (inter-fab.com)



Part # 3700

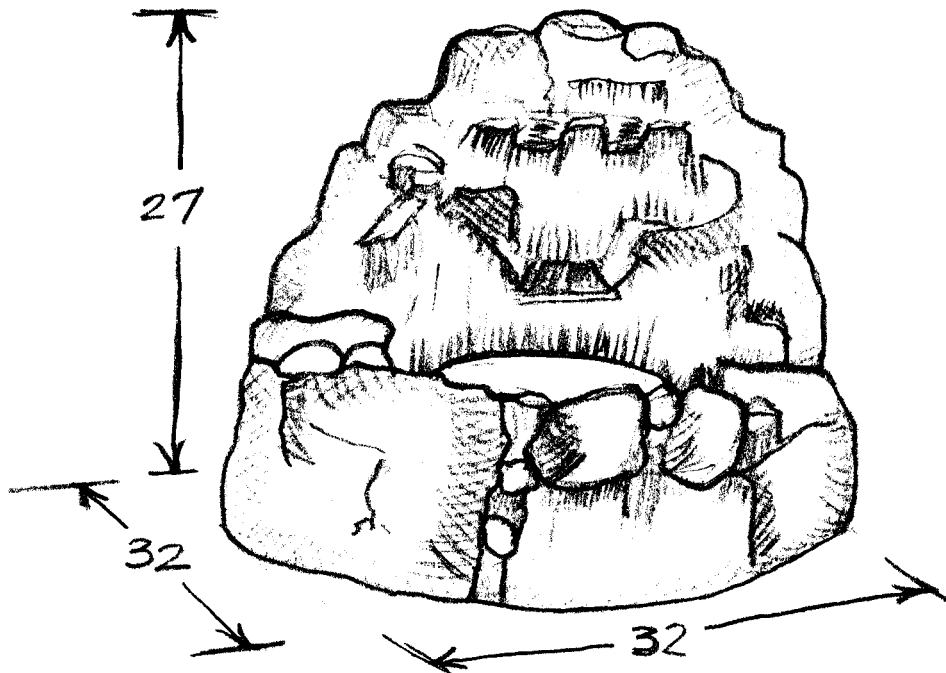
FEATURES:

- Durable, Rugged, & Light Weight Polyurea Construction
- Self Contained Water Feature
- Pump Included
- Assembles in Minutes
- Enchanting Sight & Sound
- Rated at 350 Gallons Per Hour
- Available in 4 Colors; Hues May Vary
- Color is Chemically Bonded to Undercoat

Boulder Springs Rock Colors = Sandstone: -20;
Slate Gray: -21; Light Granite: -22; Sunset Red: -23
(add custom color code behind part # when ordering)

FOUNTAIN DIMENSIONS - 3700

Length = 32"
Height = 27"
Width = 32"



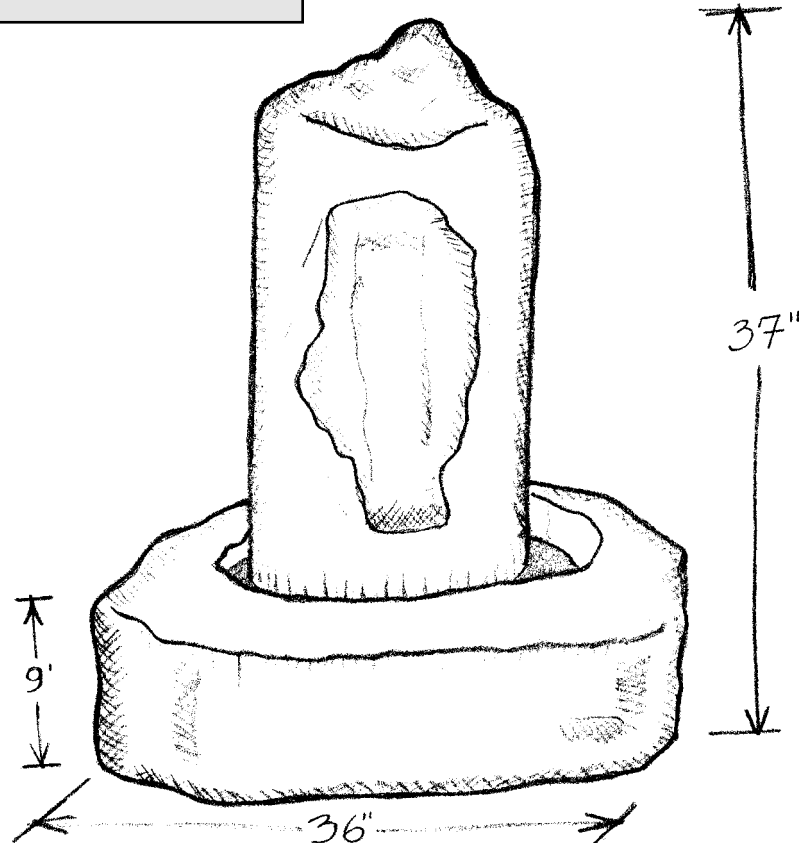
NOTE: All sizes +/- 2". Please check website for most current sizes & weights. (inter-fab.com)

Part # 3750

**FEATURES:**

- Durable, Rugged, & Light Weight Polyurea Construction
- Self Contained Water Feature
- Pump Included
- Impressive Sculptural Character
- Great Center Piece to Build an Accent Garden Around
- Rated at 250 Gallons Per Hour
- Available in 4 Colors; Hues May Vary
- Color is Chemically Bonded to Undercoat

Boulder Springs Rock Colors = Sandstone: -20;
Slate Gray: -21; Light Granite: -22; Sunset Red: -23
(add custom color code behind part # when ordering)

FOUNTAIN DIMENSIONS - 3750**Length = 36"****Height = 37"****Width = 36"**

NOTE: All sizes +/- 2". Please check website for most current sizes & weights. (inter-fab.com)



Part # 3760

FEATURES:

- Durable, Rugged, & Light Weight Polyurea Construction
- Self Contained Water Feature
- Pump Included
- Planter Pockets Provided
- Melodic Sound of a Gentle Spring Shower
- Rated at 250 Gallons Per Hour
- Available in 4 Colors; Hues May Vary
- Color is Chemically Bonded to Undercoat

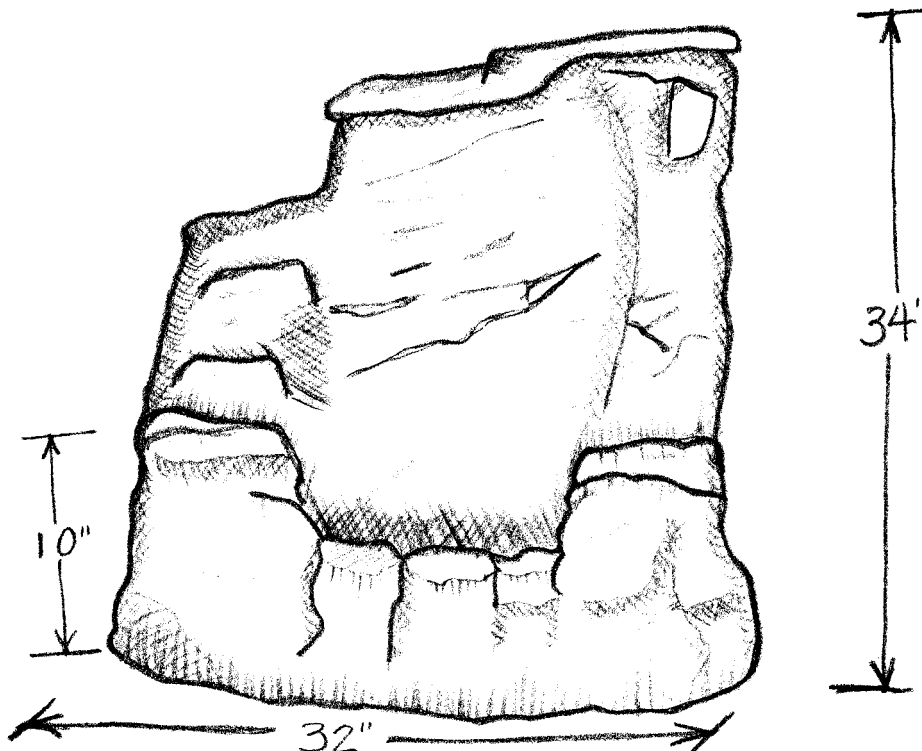
Boulder Springs Rock Colors = Sandstone: -20;
Slate Gray: -21; Light Granite: -22; Sunset Red: -23
(add custom color code behind part # when ordering)

FOUNTAIN DIMENSIONS - 3760

Length = 32"

Height = 34"

Width = 32"



NOTE: All sizes +/- 2". Please check website for most current sizes & weights. (inter-fab.com)



Part # 3300

FEATURES:

- Durable, Rugged, & Light Weight Polyurea Construction
- Assembles in Minutes
- Includes Pump & Heavy Gauge Liner for In-Ground Installation
- Great for Use in Ground Cover Near Outdoor Seating Area
- Subtle, Yet Melodic Babbling-Brook Sound
- Beautiful at Night When Lit with Low Voltage or Fiber Optic Lighting
- Rated at 250 Gallons Per Hour
- Available in 4 Colors; Hues May Vary
- Color is Chemically Bonded to Undercoat

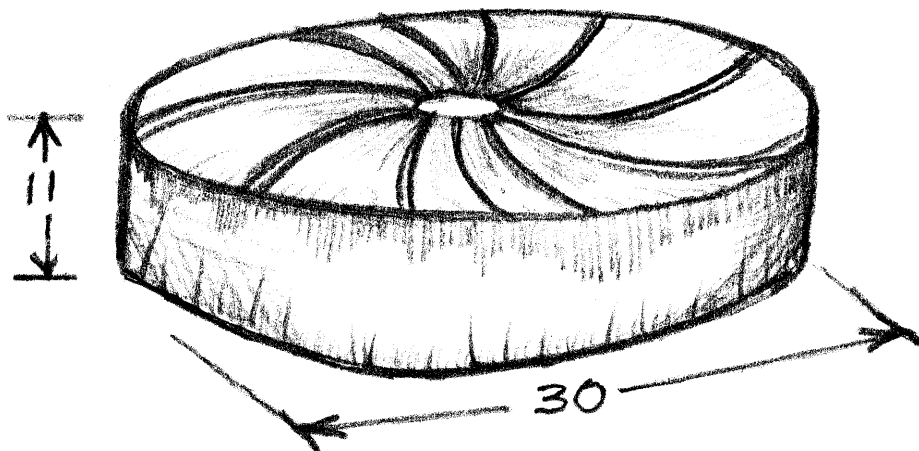
Boulder Springs Rock Colors = Sandstone: -20;
Slate Gray: -21; Light Granite: -22; Sunset Red: -23
(add custom color code behind part # when ordering)

FOUNTAIN DIMENSIONS - 3300

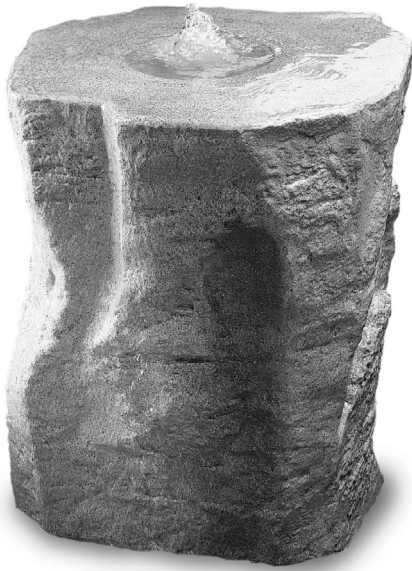
Length = 30"

Height = 11"

Width = 30"



NOTE: All sizes +/- 2". Please check website for most current sizes & weights. (inter-fab.com)



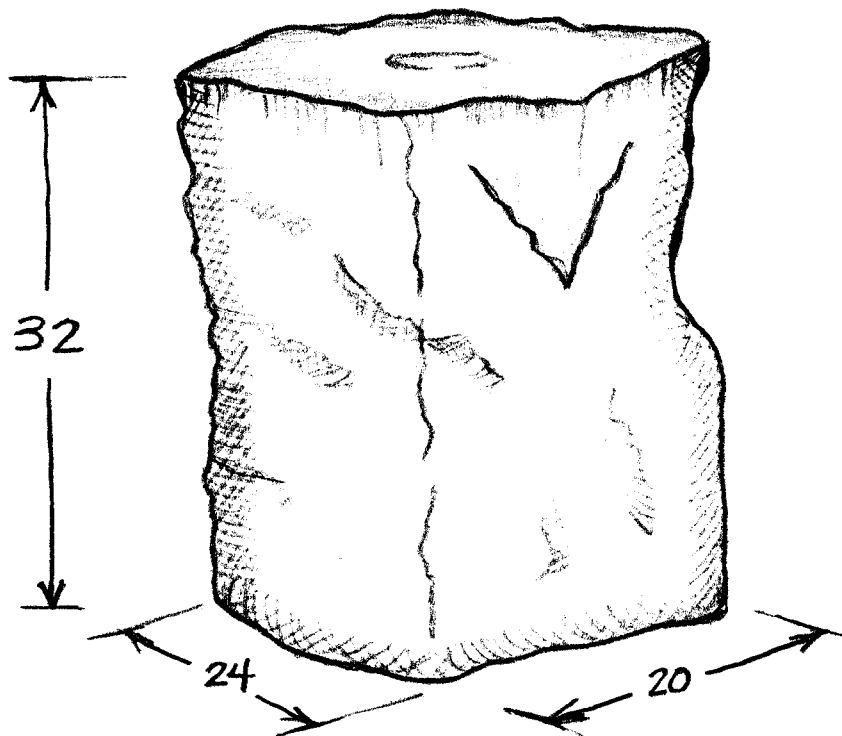
Part # 3400

FEATURES:

- Durable, Rugged, & Light Weight Polyurea Construction
- Patterned After Classic Japanese Granite Pillars
- Includes Pump & Heavy Gauge Liner for In-Ground Installation
- Can be Combined with the Stacked Rock Basin for Deck or Patio Installation
- Beautiful at Night When Lit with Low Voltage or Fiber Optic Lighting
- Melodic Babbling-Brook Sound
- Rated at 350 Gallons Per Hour
- Available in 4 Colors; Hues May Vary
- Color is Chemically Bonded to Undercoat

FOUNTAIN DIMENSIONS - 3400**Length = 24"****Height = 32"****Width = 20"**

Boulder Springs Rock Colors = Sandstone: -20;
 Slate Gray: -21; Light Granite: -22; Sunset Red: -23
(add custom color code behind part # when ordering)



NOTE: All sizes +/- 2". Please check website for most current sizes & weights. (inter-fab.com)



Keystone Waterfall w/Boulder Pack 8200
Part # 8200 (1200 Boulder & 2200 Boulder)

ACCENT BOULDERS

DESCRIPTION (Approx. Size)	PART NUMBER	
31" x 19" x 8" Boulder	Part #1100	
38" x 20" x 11" Boulder	Part #1200	
36" x 24" x 16" Boulder	Part #1300	
56" x 14" x 15" Boulder	Part #1400	
46" x 36" x 20" Boulder	Part #1500	
29" x 20" x 20" Boulder	Part #2200	
38" x 22" x 8" Boulder	Part #2300	
32" x 26" x 19" Boulder	Part #2600	
46" x 44" x 36" Boulder	Part #2650	WATERFALL
1200 & 1300 Pack	Part #8100	Alta (4100)
1200 & 2200 Pack	Part #8200	Keystone (4200)
1200 & 2300 Pack	Part #8300	Taos (4300)
2300, 2600 & 2650 Pk	Part #8400	Aspen (4400)
1500, 2200 & 2650 Pk	Part #8500	Vail (4500)

FEATURES:

- Durable, Rugged, & Light Weight Polyurea Construction
- Realistic, Incredibly Strong & Hollow
- No Footings or Special Support Needed
- Light Weight - Can be Placed or Repositioned Easily to Suit Design Changes or Whimsy
- Available in 4 Colors; Hues May Vary
- Color is Chemically Bonded to Undercoat

Boulder Springs Rock Colors = Sandstone: -20;
Slate Gray: -21; Light Granite: -22; Sunset Red: -23
(add custom color code behind part # when ordering)

NOTE: All sizes +/- 2". Please check website for most current sizes & weights. (inter-fab.com)



Accent Boulder 1100
Part # 1100



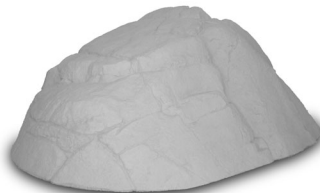
Accent Boulder 1400
Part # 1400



Accent Boulder 2300
Part # 2300



Accent Boulder 1200
Part # 1200



Accent Boulder 1500
Part # 1500



Accent Boulder 2600
Part # 2600



Accent Boulder 1300
Part # 1300



Accent Boulder 2200
Part # 2200



Accent Boulder 2650
Part # 2650



Part # 1100

FEATURES:

- Durable, Rugged, & Light Weight Polyurea Construction
- Realistic, Incredibly Strong & Hollow
- No Footings or Special Support Needed
- Light Weight - Can be Placed or Repositioned Easily to Suit Design Changes or Whimsy
- Available in 4 Colors; Hues May Vary
- Color is Chemically Bonded to Undercoat

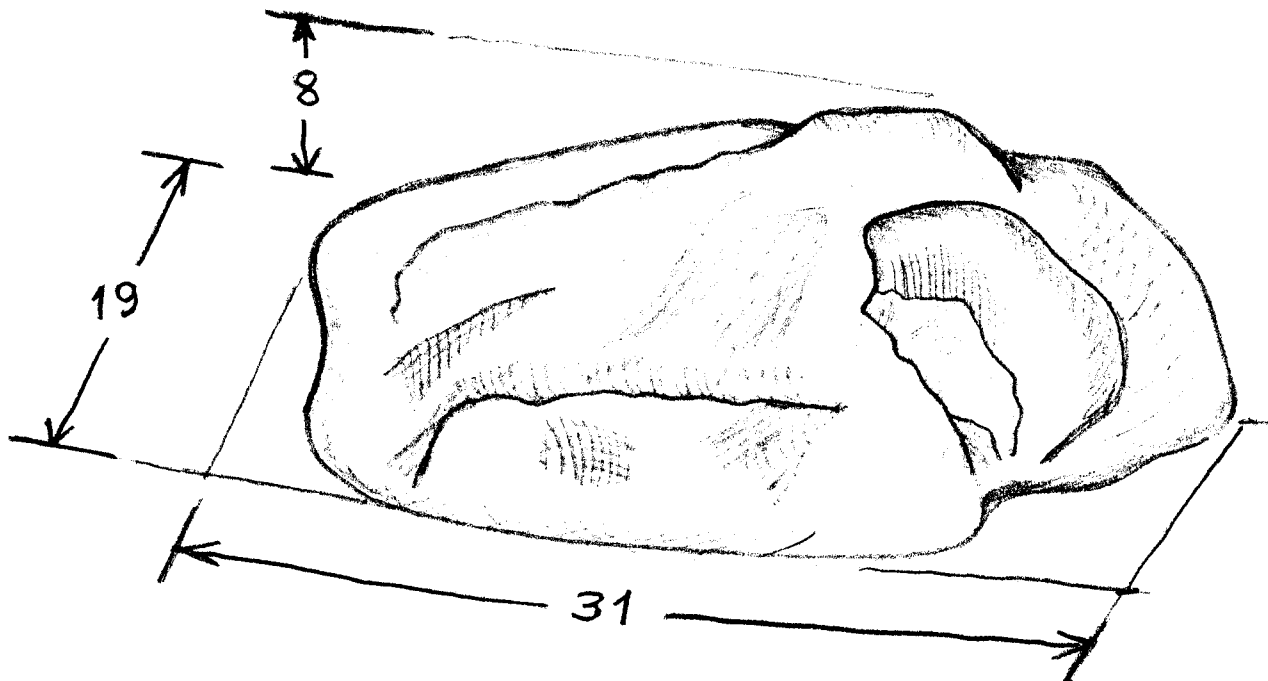
Boulder Springs Rock Colors = Sandstone: -20;
Slate Gray: -21; Light Granite: -22; Sunset Red: -23
(add custom color code behind part # when ordering)

BOULDER DIMENSIONS - 1100

Length = 31"

Height = 8"

Width = 19"



NOTE: All sizes +/- 2". Please check website for most current sizes & weights. (inter-fab.com)



Part # 1200

FEATURES:

- Durable & Long Lasting Acrylic & Fiberglass Construction
- Realistic, Incredibly Strong & Hollow
- No Footings or Special Support Needed
- Light Weight - Can be Placed or Repositioned Easily to Suit Design Changes or Whimsy
- Available in 4 Colors; Hues May Vary
- Color is Chemically Bonded to Undercoat

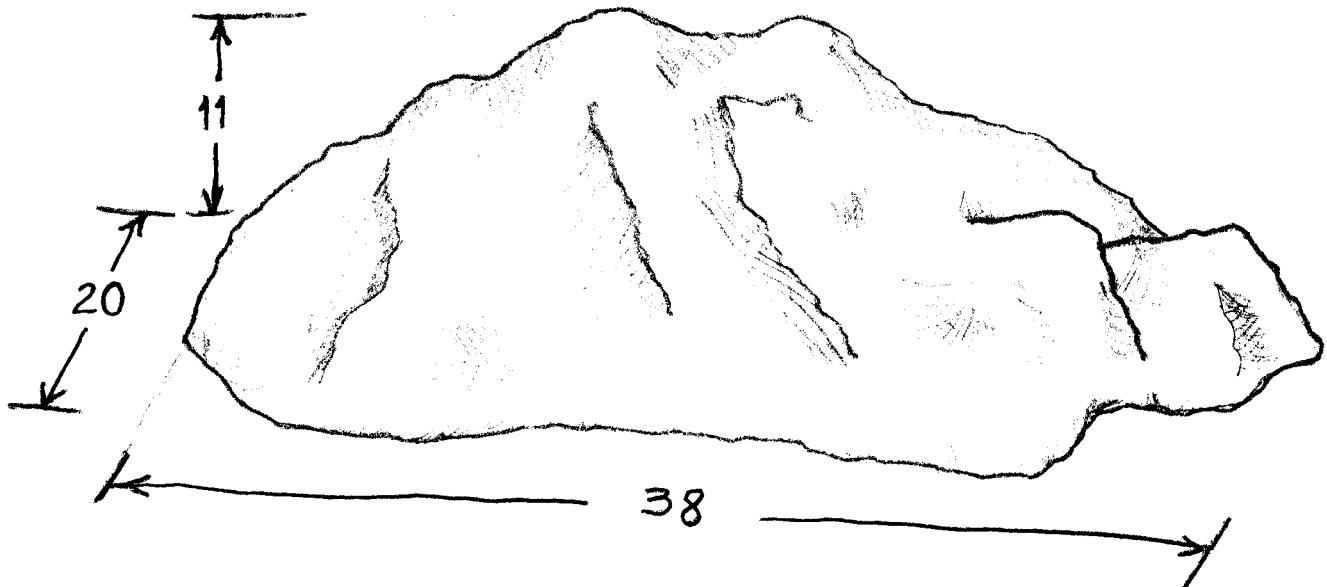
Recommend for use in combination with the following accent boulders and waterfall for an extended natural zone:

- Waterfall:** Alta (4100)
Accent Boulders: 1200 & 1300 (8100)
- Waterfall:** Keystone (4200)
Accent Boulders: 1200 & 2200 (8200)
- Waterfall:** Taos (4300)
Accent Boulders: 1200 & 2300 (8300)

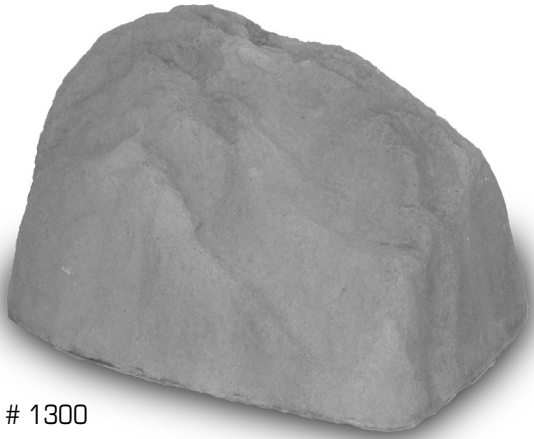
Boulder Springs Rock Colors = Sandstone: -20;
 Slate Gray: -21; Light Granite: -22; Sunset Red: -23
(add custom color code behind part # when ordering)

BOULDER DIMENSIONS - 1200

Length = 38"
Height = 11"
Width = 20"



NOTE: All sizes +/- 2". Please check website for most current sizes & weights. (inter-fab.com)



Part # 1300

FEATURES:

- Durable, Rugged, & Light Weight Polyurea Construction
- Realistic, Incredibly Strong & Hollow
- No Footings or Special Support Needed
- Light Weight - Can be Placed or Repositioned Easily to Suit Design Changes or Whimsy
- Available in 4 Colors; Hues May Vary
- Color is Chemically Bonded to Undercoat

Recommend for use in combination with the following accent boulders and waterfall for an extended natural zone:

Waterfall: Alta (4100)

Accent Boulders: 1200 & 1300 (8100)

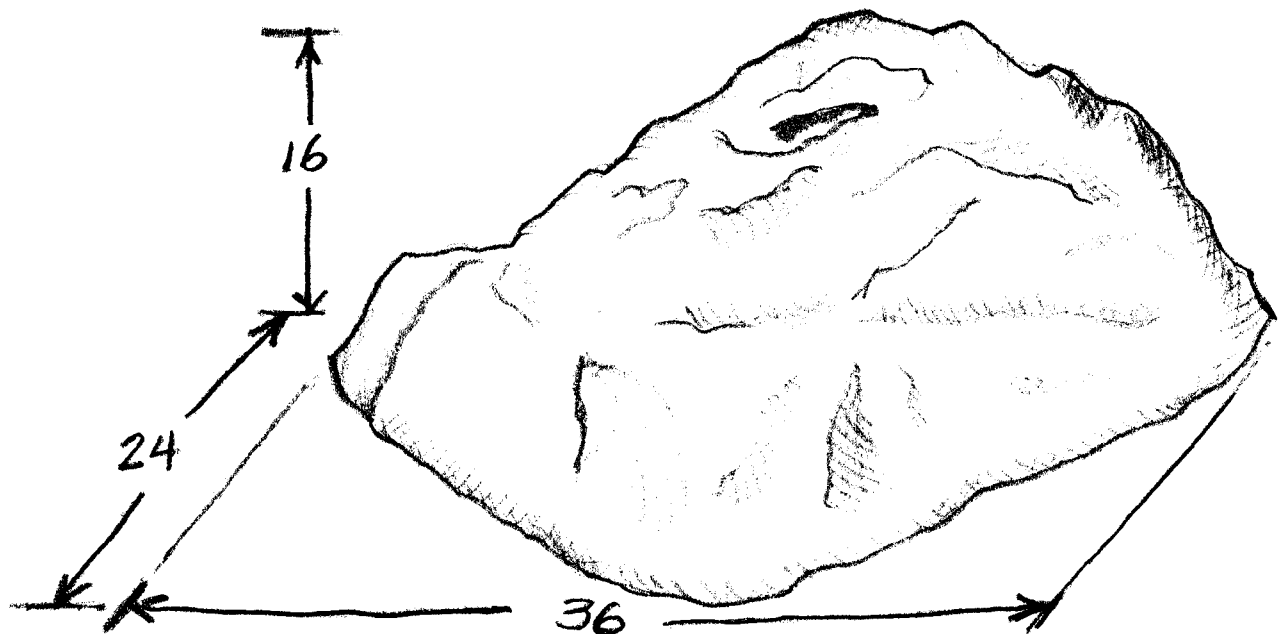
Boulder Springs Rock Colors = Sandstone: -20;
Slate Gray: -21; Light Granite: -22; Sunset Red: -23
(add custom color code behind part # when ordering)

BOULDER DIMENSIONS - 1300

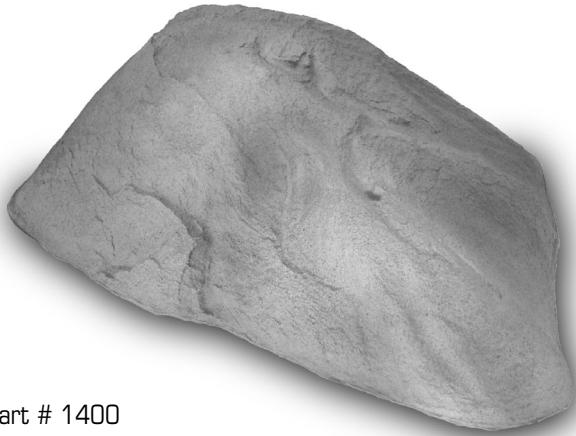
Length = 36"

Height = 16"

Width = 24"



NOTE: All sizes +/- 2". Please check website for most current sizes & weights. (inter-fab.com)

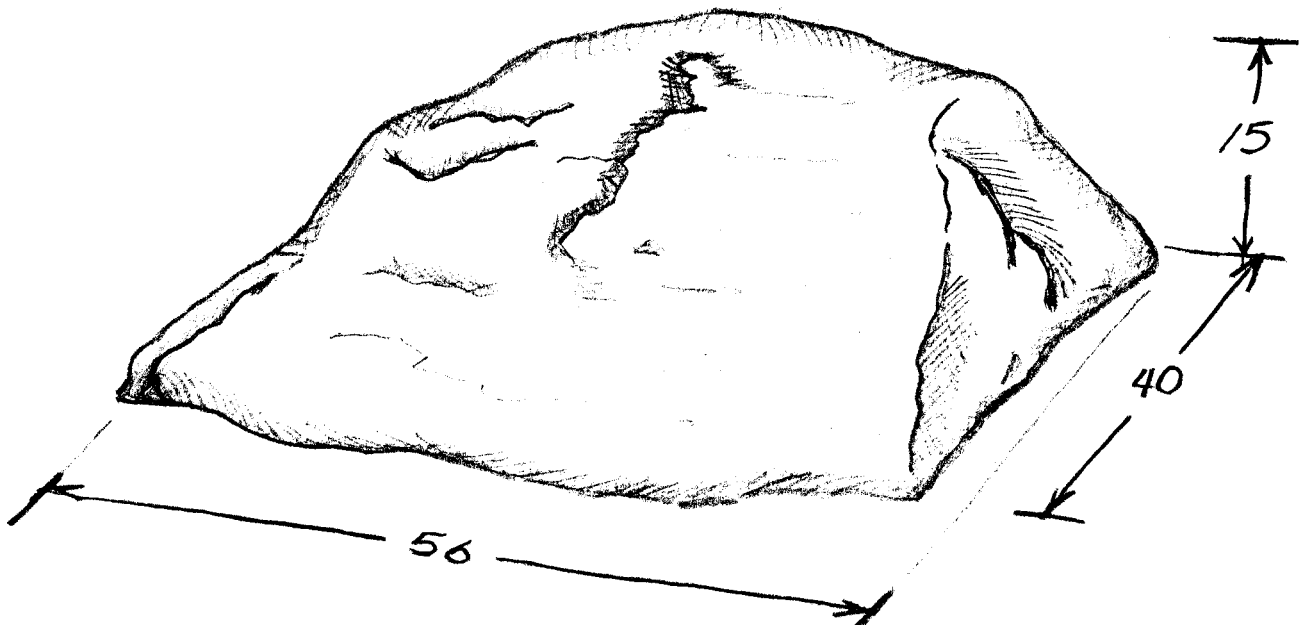


Part # 1400

FEATURES:

- Durable, Rugged, & Light Weight Polyurea Construction
- Realistic, Incredibly Strong & Hollow
- No Footings or Special Support Needed
- Light Weight - Can be Placed or Repositioned Easily to Suit Design Changes or Whimsy
- Available in 4 Colors; Hues May Vary
- Color is Chemically Bonded to Undercoat

Boulder Springs Rock Colors = Sandstone: -20;
Slate Gray: -21; Light Granite: -22; Sunset Red: -23
(add custom color code behind part # when ordering)

BOULDER DIMENSIONS - 1400**Length = 56"****Height = 15"****Width = 40"**

NOTE: All sizes +/- 2". Please check website for most current sizes & weights. (inter-fab.com)



Part # 1500

Recommend for use in combination with the following accent boulders and waterfall for an extended natural zone:

Waterfall: Vail (4500)
Accent Boulders: 1500, 2200 & 2650 (8500)

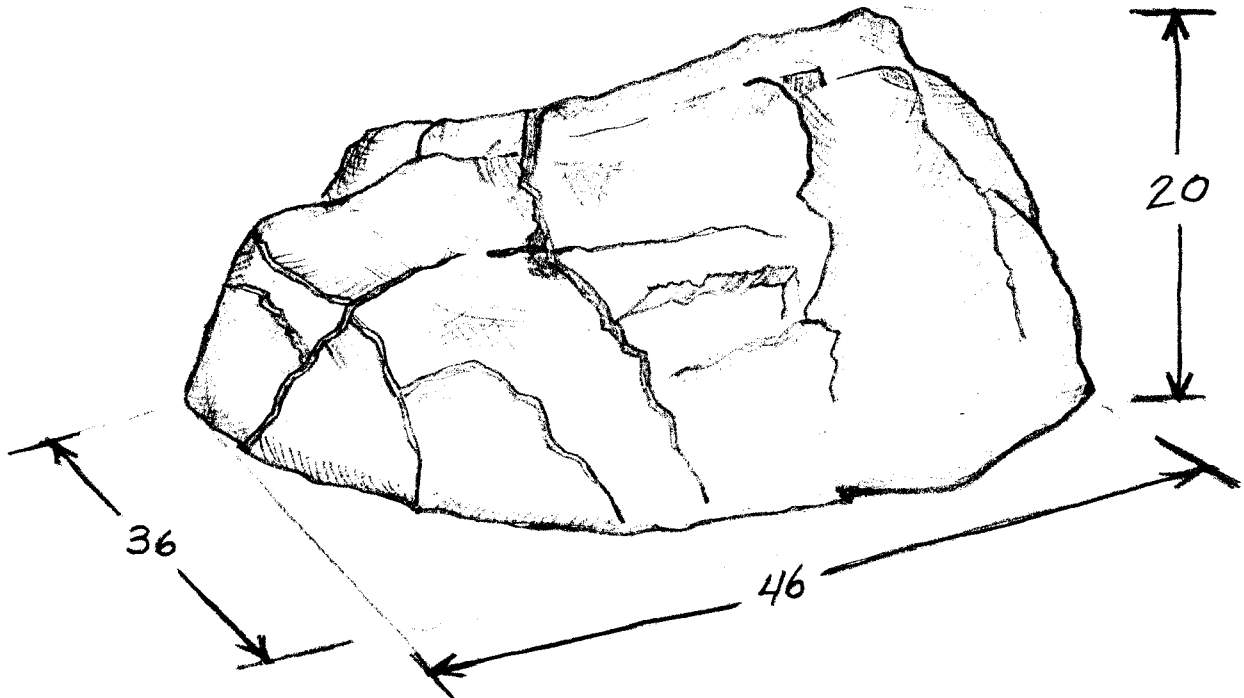
FEATURES:

- Durable, Rugged, & Light Weight Polyurea Construction
- Realistic, Incredibly Strong & Hollow
- No Footings or Special Support Needed
- Light Weight - Can be Placed or Repositioned Easily to Suit Design Changes or Whimsy
- Available in 4 Colors; Hues May Vary
- Color is Chemically Bonded to Undercoat

Boulder Springs Rock Colors = Sandstone: -20;
Slate Gray: -21; Light Granite: -22; Sunset Red: -23
(add custom color code behind part # when ordering)

BOULDER DIMENSIONS - 1500

Length = 46"
Height = 20"
Width = 36"



NOTE: All sizes +/- 2". Please check website for most current sizes & weights. (inter-fab.com)



Part # 2200

Recommend for use in combination with the following accent boulders and waterfall for an extended natural zone:

Waterfall: Keystone (4200)

Accent Boulders: 1200 & 2200 (8200)

Waterfall: Vail (4500)

Accent Boulders: 1500, 2200 & 2650 (8500)

FEATURES:

- Durable, Rugged, & Light Weight Polyurea Construction
- Realistic, Incredibly Strong & Hollow
- No Footings or Special Support Needed
- Light Weight - Can be Placed or Repositioned Easily to Suit Design Changes or Whimsy
- Available in 4 Colors; Hues May Vary
- Color is Chemically Bonded to Undercoat

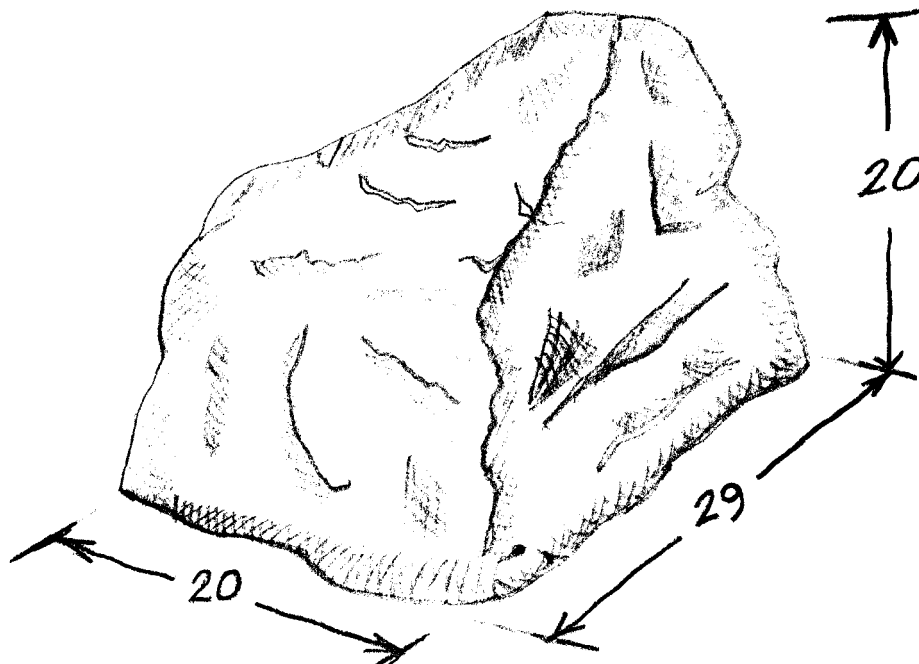
Boulder Springs Rock Colors = Sandstone: -20;
Slate Gray: -21; Light Granite: -22; Sunset Red: -23
(add custom color code behind part # when ordering)

BOULDER DIMENSIONS - 2200

Length = 29"

Height = 20"

Width = 20"



NOTE: All sizes +/- 2". Please check website for most current sizes & weights. (inter-fab.com)



Part # 2300

Recommend for use in combination with the following accent boulders and waterfall for an extended natural zone:

- Waterfall:** Taos (4300)
- Accent Boulders:** 1200 & 2300 (8300)
- Waterfall:** Aspen (4400)
- Accent Boulders:** 2300, 2600 & 2650 (8400)

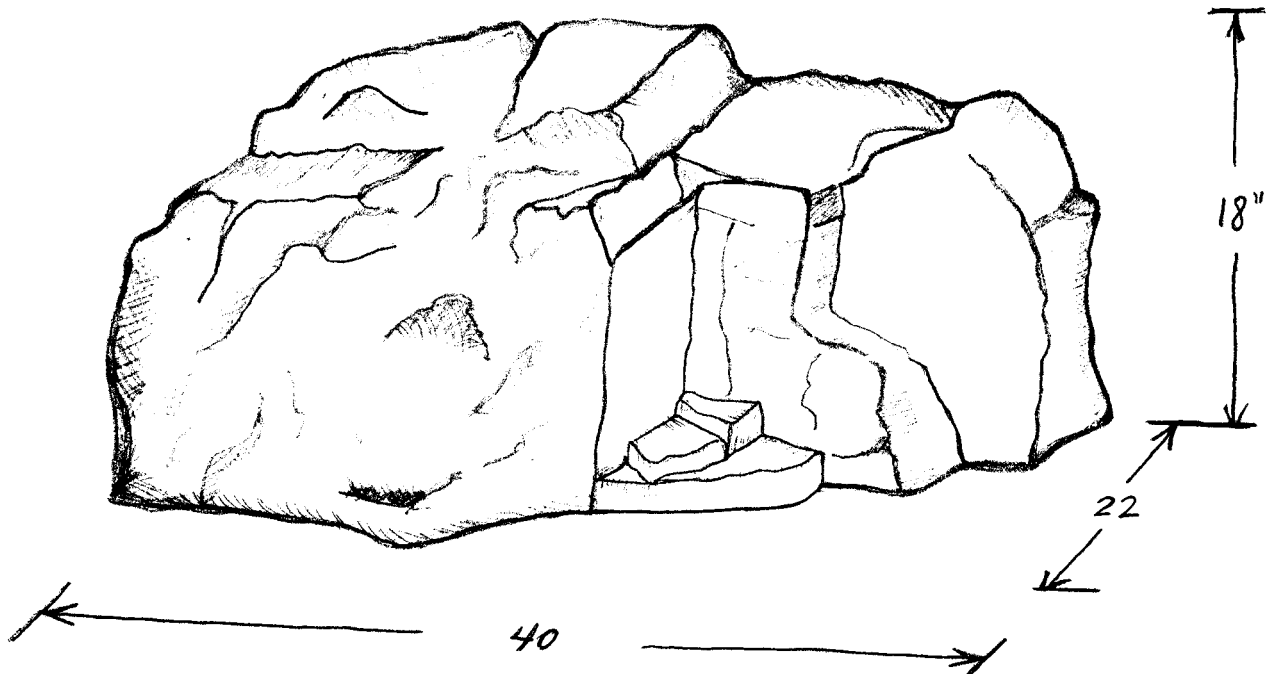
FEATURES:

- Durable, Rugged, & Light Weight Polyurea Construction
- Realistic, Incredibly Strong & Hollow
- No Footings or Special Support Needed
- Light Weight - Can be Placed or Repositioned Easily to Suit Design Changes or Whimsy
- Available in 4 Colors; Hues May Vary
- Color is Chemically Bonded to Undercoat

Boulder Springs Rock Colors = Sandstone: -20; Slate Gray: -21; Light Granite: -22; Sunset Red: -23
(add custom color code behind part # when ordering)

BOULDER DIMENSIONS - 2300

Length = 40"
Height = 18"
Width = 22"



NOTE: All sizes +/- 2". Please check website for most current sizes & weights. (inter-fab.com)



Part # 2600

Recommend for use in combination with the following accent boulders and waterfall for an extended natural zone:

Waterfall: Aspen (4400)
Accent Boulders: 2300, 2600 & 2650 (8400)

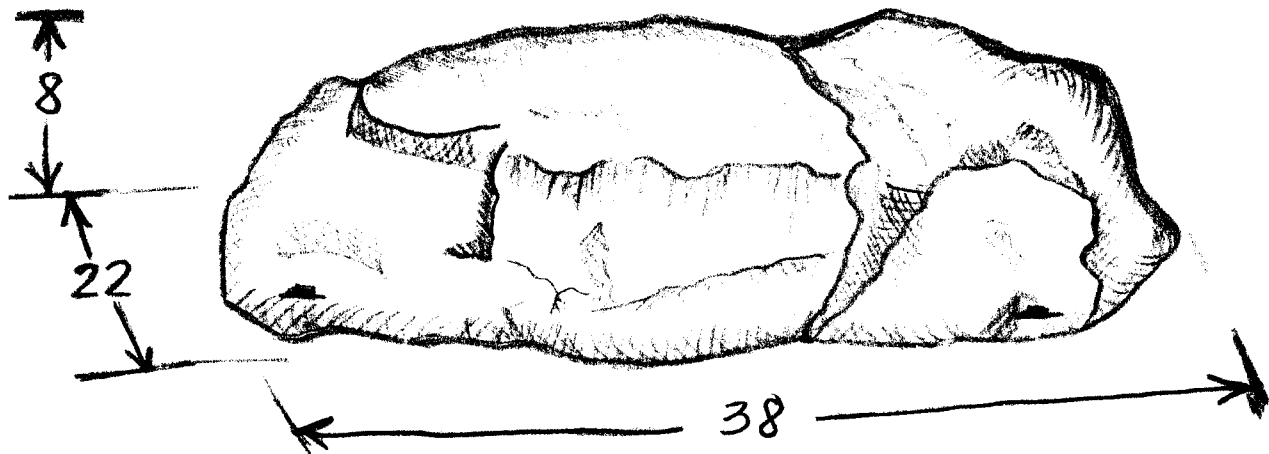
FEATURES:

- Durable, Rugged, & Light Weight Polyurea Construction
- Realistic, Incredibly Strong & Hollow
- No Footings or Special Support Needed
- Light Weight - Can be Placed or Repositioned Easily to Suit Design Changes or Whimsy
- Available in 4 Colors; Hues May Vary
- Color is Chemically Bonded to Undercoat

Boulder Springs Rock Colors = Sandstone: -20; Slate Gray: -21; Light Granite: -22; Sunset Red: -23
(add custom color code behind part # when ordering)

BOULDER DIMENSIONS - 2600

Length = 38"
Height = 8"
Width = 22"



NOTE: All sizes +/- 2". Please check website for most current sizes & weights. (inter-fab.com)



Part # 2650

Recommend for use in combination with the following accent boulders and waterfall for an extended natural zone:

Waterfall: Aspen (4400)

Accent Boulders: 2300, 2600 & 2650 (8400)

Waterfall: Vail (4500)

Accent Boulders: 1500, 2200 & 2650 (8500)

FEATURES:

- Durable, Rugged, & Light Weight Polyurea Construction
- Great Place to Sit and Enjoy Your Pool or Garden Area
- Realistic, Incredibly Strong & Hollow
- No Footings or Special Support Needed
- Light Weight - Can be Placed or Repositioned Easily to Suit Design Changes or Whimsy
- Available in 4 Colors; Hues May Vary
- Color is Chemically Bonded to Undercoat

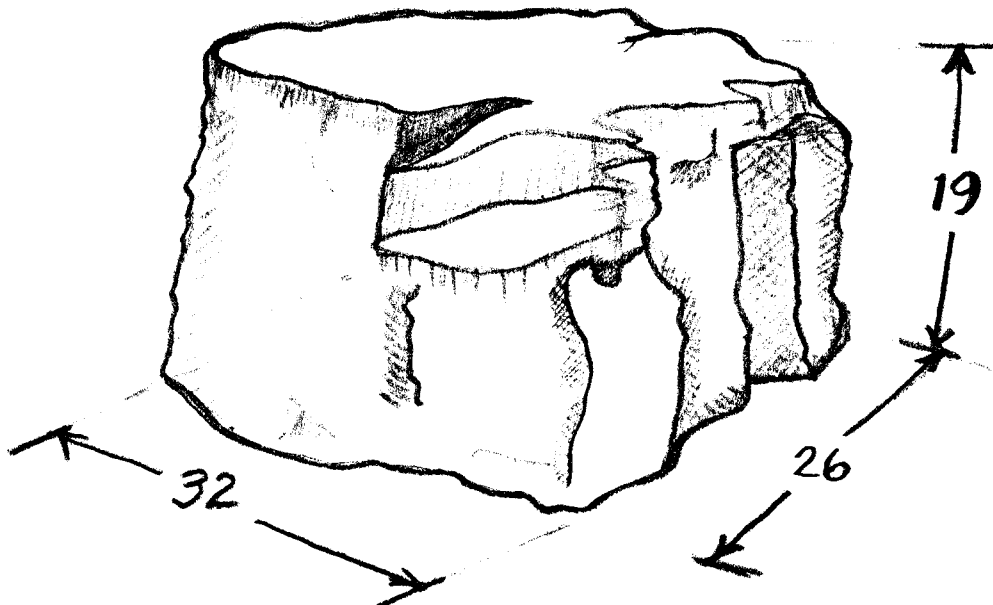
Boulder Springs Rock Colors = Sandstone: -20;
Slate Gray: -21; Light Granite: -22; Sunset Red: -23
(add custom color code behind part # when ordering)

BOULDER DIMENSIONS - 2650

Length = 32"

Height = 19"

Width = 26"



NOTE: All sizes +/- 2". Please check website for most current sizes & weights. (inter-fab.com)

**Alta Waterfall 4100 w/Boulder Pack 8100**

Part # 8100 (1200 Boulder & 1300 Boulder)
Shown with Part # 4100 (Alta Waterfall)

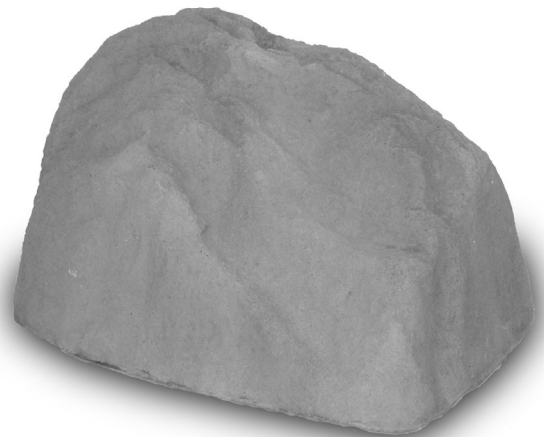
FEATURES:

- Durable, Rugged, & Light Weight Polyurea Construction
- Pack Enhances Water Features
- Creates a Broad Natural Landscape
- Realistic, Incredibly Strong & Hollow
- No Footings or Special Support Needed
- Light Weight - Can be Placed or Repositioned Easily to Suit Design Changes or Whimsy
- Available in 4 Colors; Hues May Vary
- Color is Chemically Bonded to Undercoat

Boulder Springs Rock Colors = Sandstone: -20;
Slate Gray: -21; Light Granite: -22; Sunset Red: -23
(add custom color code behind part # when ordering)

**Accent Boulder 1200**

Part # 1200

**Accent Boulder 1300**

Part # 1300

**Keystone Waterfall 4200 w/Boulder Pack 8200**

Part # 8200 (1200 Boulder & 2200 Boulder)
 Shown with Part # 4200 (Keystone Waterfall)

FEATURES:

- Durable, Rugged, & Light Weight Polyurea Construction
- Pack Enhances Water Features
- Creates a Broad Natural Landscape
- Realistic, Incredibly Strong & Hollow
- No Footings or Special Support Needed
- Light Weight - Can be Placed or Repositioned Easily to Suit Design Changes or Whimsy
- Available in 4 Colors; Hues May Vary
- Color is Chemically Bonded to Undercoat

Boulder Springs Rock Colors = Sandstone: -20;
 Slate Gray: -21; Light Granite: -22; Sunset Red: -23
(add custom color code behind part # when ordering)

**Accent Boulder 1200**

Part # 1200

**Accent Boulder 2200**

Part # 2200

**Taos Waterfall 4300 w/Boulder Pack 8300**

Part # 8300 (1200 Boulder & 2300 Boulder)
Shown with Part # 4300 (Taos Waterfall)

FEATURES:

- Durable, Rugged, & Light Weight Polyurea Construction
- Pack Enhances Water Features
- Creates a Broad Natural Landscape
- Realistic, Incredibly Strong & Hollow
- No Footings or Special Support Needed
- Light Weight - Can be Placed or Repositioned Easily to Suit Design Changes or Whimsy
- Available in 4 Colors; Hues May Vary
- Color is Chemically Bonded to Undercoat

Boulder Springs Rock Colors = Sandstone: -20;
Slate Gray: -21; Light Granite: -22; Sunset Red: -23
(add custom color code behind part # when ordering)

**Accent Boulder 1200**

Part # 1200

**Accent Boulder 2300**

Part # 2300



Aspen Waterfall 4400 w/Boulder Pack 8400

Part # 8400 (2300, 2600 & 2650 Boulders)
Shown with Part # 4400 (Aspen Waterfall)

Boulder Springs Rock Colors = Sandstone: -20;
Slate Gray: -21; Light Granite: -22; Sunset Red: -23
(add custom color code behind part # when ordering)

FEATURES:

- Durable, Rugged, & Light Weight Polyurea Construction
- Pack Enhances Water Features
- Creates a Broad Natural Landscape
- Seating Boulder (2650) is a Great Place to Sit and Enjoy Your Pool or Garden Area
- Realistic, Incredibly Strong & Hollow
- No Footings or Special Support Needed
- Light Weight - Can be Placed or Repositioned Easily to Suit Design Changes or Whimsy
- Available in 4 Colors; Hues May Vary
- Color is Chemically Bonded to Undercoat



Accent Boulder 2300

Part # 2300



Accent Boulder 2650

Part # 2650



Accent Boulder 2600

Part # 2600

**Vail Waterfall 4500 w/Boulder Pack 8500**

Part # 8500 (1500, 2200 & 2650 Boulders)

Shown with Part # 4500 (Vail Waterfall)

Boulder Springs Rock Colors = Sandstone: -20;
 Slate Gray: -21; Light Granite: -22; Sunset Red: -23
(add custom color code behind part # when ordering)

FEATURES:

- Durable, Rugged, & Light Weight Polyurea Construction
- Pack Enhances Water Features
- Creates a Broad Natural Landscape
- Seating Boulder (2650) is a Great Place to Sit and Enjoy Your Pool or Garden Area
- Realistic, Incredibly Strong & Hollow
- No Footings or Special Support Needed
- Light Weight - Can be Placed or Repositioned Easily to Suit Design Changes or Whimsy
- Available in 4 Colors; Hues May Vary
- Color is Chemically Bonded to Undercoat

**Accent Boulder 1500**

Part # 1500

**Accent Boulder 2200**

Part # 2200

**Accent Boulder 2650**

Part # 2650

FEATURES:

- Durable, Rugged, & Light Weight Polyurea Construction
- Increase Natural Look & Feel of Pool Accessories with Natural-Looking Rock Accents
- Unique Rock Diving Base and Slide
- Realistic, Incredibly Strong & Hollow
- Available in 4 Colors; Hues May Vary
- Color is Chemically Bonded to Undercoat

Boulder Springs Rock Colors = Sandstone: -20;
 Slate Gray: -21; Light Granite: -22; Sunset Red: -23
(add custom color code behind part # when ordering)

BS ACCESSORIES

DESCRIPTION	PART NUMBER
Jump Rock™	Part #BS-JR
Slide Rock™ (white slide)	Part #5100
Slide Rock™ (tan slide)	Part #5200
Slide Rock™ (gray slide)	Part #5300



Jump Rock™
 Part # BS-JR



Slide Rock™
 Part # 5100 (wht), 5200 (tan), 5300 (gray)

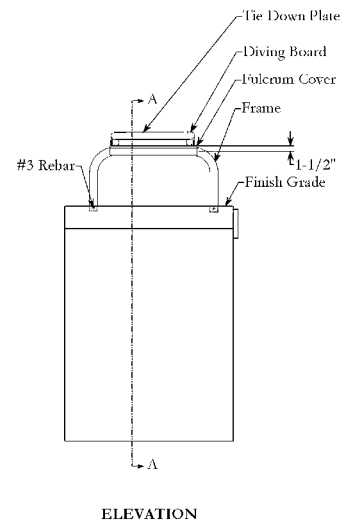
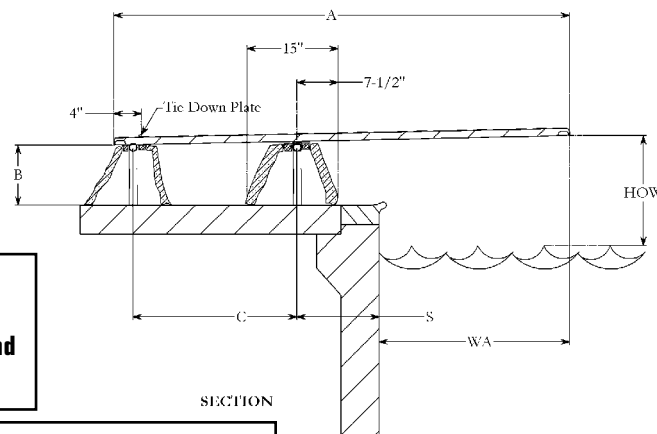


Part # BS-JR

Standard Board = Duro-Beam 6', 8' or 10'
 Upgrade 1 = Techni-Beam 6', 8', or 10'
 Upgrade 2 = Olympian 6', 8' or 10'

FEATURES:

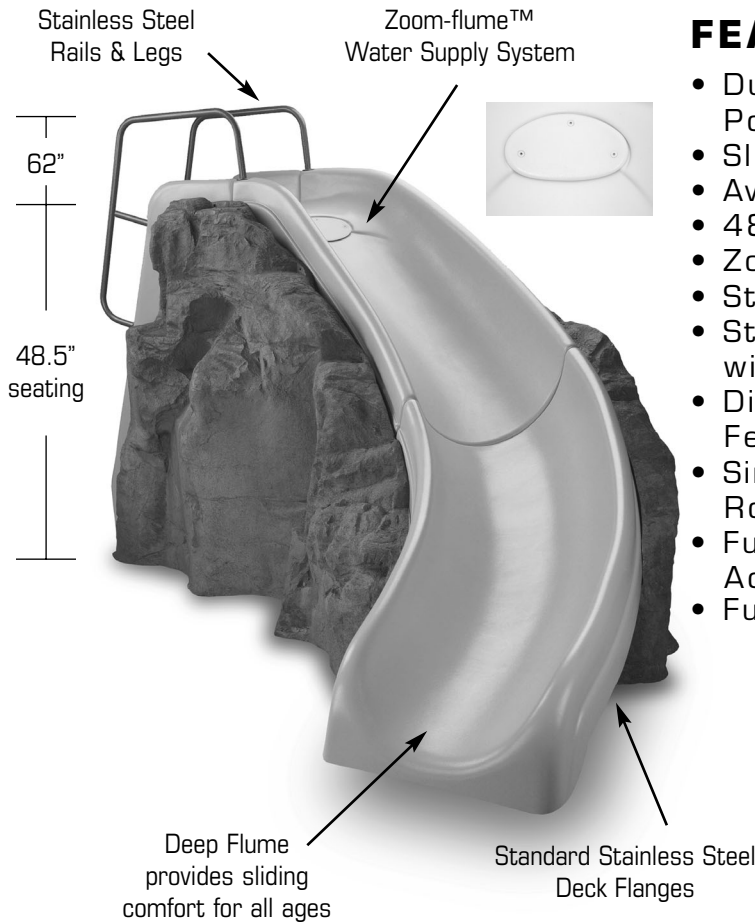
- Durable, Rugged, & Light Weight Polyurea Construction
- Unique Diving Base Adds Beauty and Functionality to Pool Area
- Available for Use With 6', 8', & 10' Length Boards
- 2 Hole Drill Pattern
- Available in 4 Colors; Hues May Vary
- Color is Chemically Bonded to Undercoat
- Full Exploded View - pg. F8 - F9



Diving Board Colors:
 Black: -2; Tan: -7; Gray: -9
(add custom color code behind part # when ordering)

Boulder Springs Rock Colors = Sandstone: -20;
 Slate Gray: -21; Light Granite: -22; Sunset Red: -23
(add custom color code behind part # when ordering)

IMPORTANT: THESE DIMENSIONS ARE ACCURATE ONLY FOR VERTICAL POOL WALLS, TYPICALLY GUNITE CONSTRUCTION , WITH LESS THAN A 3' RADIUS TO THE POOL FLOOR. DUE TO THE VARYING SIZES OF OTHER POOLS, TYPICALLY VINYL LINER CONSTRUCTION , PLEASE CONTACT CUSTOMER SERVICE FOR PROPER JIG PLACEMENT. 1-800-737-5386	U-STANDARDS PART #	NOMINAL BOARD LENGTH (A)	ANSI/ NSPI-5 POOL TYPE	DISTANCE FROM POOL EDGE TO FORWARD U-STAND (S)	DISTANCE FROM END OF BOARD TO FORWARD U-STAND	MIN. OVERHANG PLUS OR MINUS 3" WA*	MAX HEIGHT OF BOARD ABOVE WATER HOW
	DBU12049	6'	I	18"	36.25"	18"	20"
DBU12049	6'	II	18"	36.25"	18"	20"	
DBU12049	6'	III	12"	36.25"	24"	26"	
DBU12049	6'	IV	9"	36.25"	30"	30"	
DBU12049	6'	V	9"	36.25"	36"	40"	
DBU12049	8'	I	Won't work with rock	NA	NA	NA	
DBU12049	8'	II	32"	50"	18"	20"	
DBU12049	8'	III	26"	50"	24"	26"	
DBU12049	8'	IV	20"	50"	30"	30"	
DBU12049	8'	V	14"	50"	36"	40"	
DBU12049	10'	I	NA	NA	NA	NA	
DBU12049	10'	II	NA	NA	NA	NA	
DBU12049	10'	III	38"	61.5"	24"	26"	
DBU12049	10'	IV	32"	61.5"	30"	30"	
DBU12049	10'	V	26"	61.5"	36"	40"	



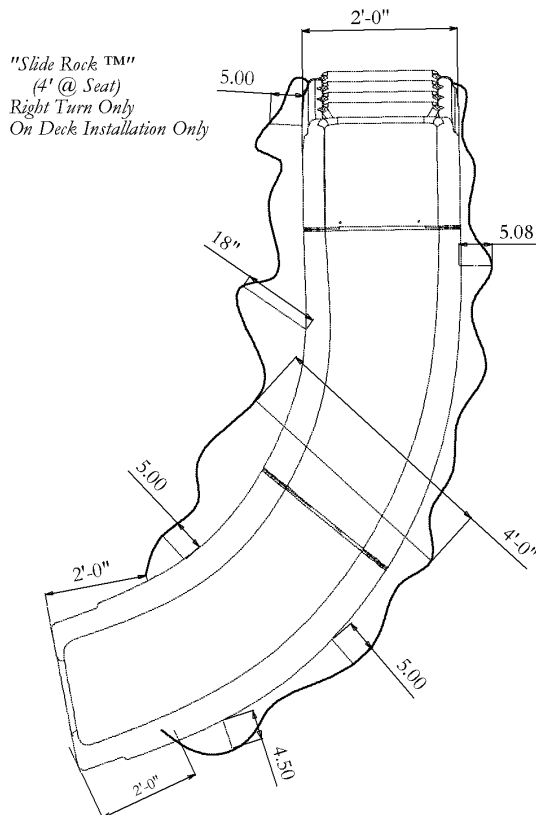
FEATURES:

- Durable, Rugged, & Light Weight Polyurea Construction
- Slide Available in White, Tan & Gray
- Available in Right Turn Only
- 48.5" High at Seating Area
- Zoom-Flume™ Water Supply System
- Stainless Steel Rails & Legs
- Standard Powder Coated Handrails with Tan or Gray Slide Rock Slide
- Discretely Sits Below a 6' Privacy Fence
- Simulated Rock Accents (Front & Back Rock Accents Available Separately)
- Fully Molded Steps Provide Safe Access to Slide Flume
- Full Exploded View - pg. F18 - F19

SLIDE ROCK™ SLIDES

DESCRIPTION	PART NUMBER
Slide Rock Slide - right - wht	Part #5100
Slide Rock Slide - right - tan	Part #5200
Slide Rock Slide - right - gray	Part #5300

w/ss hardware, add **-SS**
w/powder coated handrails, add **-H**
w/powder coated handrails, legs, & deck anchors, add **-A**



Custom Powder Coated Colors = White -1; Black: -2; Earth: -3; Copper Vein: -4; Patina: -5; Hammertone Gray: -6; Light Gray: -9
(add custom color code behind part # when ordering)

Boulder Springs Rock Colors = Sandstone: -20; Slate Gray: -21; Light Granite: -22; Sunset Red: -23
(add custom color code behind part # when ordering)

Slide Rock™ Footprint for RIGHT Turn Only Slide

MH WATER FEATURES

DESCRIPTION	PART NUMBER
Serenity Garden Falls (waterfall only)	Part #6100
Serenity Garden Falls (waterfall, pump & plumbing)	Part #6100T
Cornerstone Waterfall (waterfall only)	Part #6200
Cornerstone Waterfall (waterfall, pump & plumbing)	Part #6200T
Cornerstone w/Straight Spillway (waterfall only)	Part #6201
Bubbler Fountain	Part #6300
Scupper Waterfall (waterfall only)	Part #7000
Scupper Waterfall (waterfall, pump & plumbing)	Part #7000T
Scupper Waterfall w/Basin (waterfall, basin, pump & plumbing)	Part #7000E

FEATURES:

- Durable, Rugged, & Light Weight Polyurea Construction
- Emulates the Look of Hand-Laid Stacked Stone
- Easy On-Deck Installation
- Great Garden Centerpieces when Used with Liner and Pump
- Available in 2 Colors; Hues May Vary
- Color is Chemically Bonded to Undercoat

Manor House Rock Colors =
 Desert Sandstone: -24; Gray/Brown Cobblestone: -25
(add custom color code behind part # when ordering)



Serenity Garden Falls
 Part # 6100 (waterfall only)
 Part # 6100T (waterfall, pump & plumbing)



Cornerstone Waterfall
 Part # 6200 (waterfall only)
 Part # 6200T (waterfall, pump & plumbing)



Cornerstone Waterfall w/Straight Edge Spillway
 Part # 6201 (waterfall only)



Scupper Waterfall
 Part # 7000 (waterfall only)
 Part # 7000T (waterfall, pump & plumbing)



Scupper Waterfall w/Basin
 Part # 7000E
 (waterfall, basin, pump & plumbing)



Bubbler Fountain
 Part # 6300 (includes pump)



Part # 6100 (waterfall only)
 Part # 6100T (waterfall, pump & plumbing)

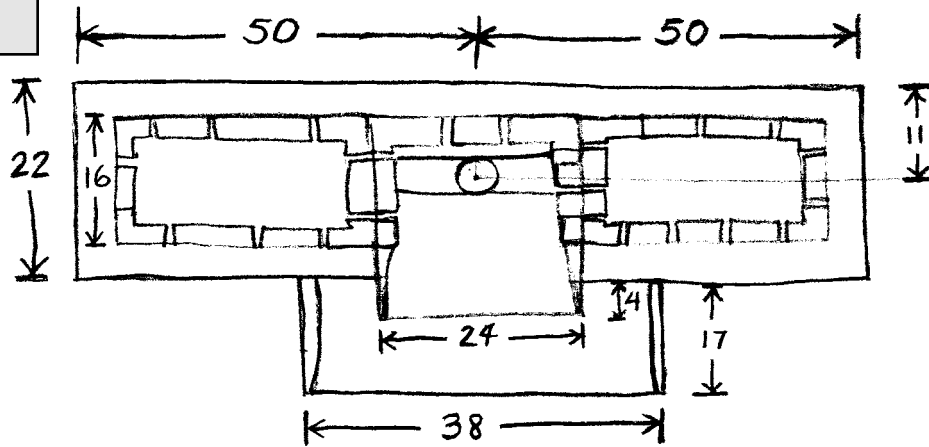
FEATURES:

- Durable, Rugged, & Light Weight Polyurea Construction
- Emulates the Look of Hand-Laid Stacked Stone
- Two Integrated Planters
- Easy On-Deck Installation
- Great Garden Centerpieces when Used with Liner and Pump
- Rated at 2400 Gallons Per Hour
- Available in 2 Colors; Hues May Vary
- Color is Chemically Bonded to Undercoat

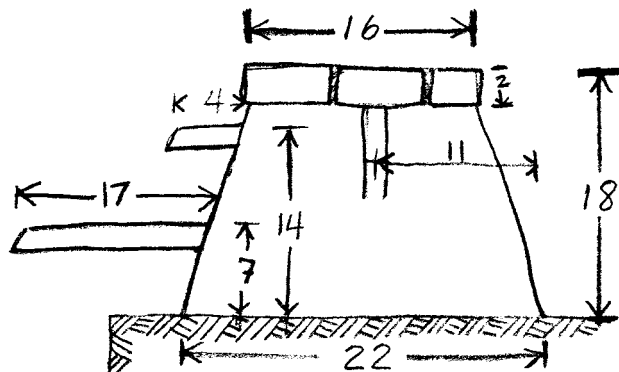
WATERFALL DIMENSIONS - 6100
Length = 100"
Height = 18"
Width = 22"

Manor House Rock Colors =
 Desert Sandstone: -24; Gray/Brown Cobblestone: -25
(add custom color code behind part # when ordering)

TOP VIEW



SIDE VIEW



NOTE: All sizes +/- 2". Please check website for most current sizes & weights. (inter-fab.com)



Part # 6200 (waterfall only)
 Part # 6201 (waterfall only w/straight edge spillway)
 Part # 6200T (waterfall, pump & plumbing)

FEATURES:

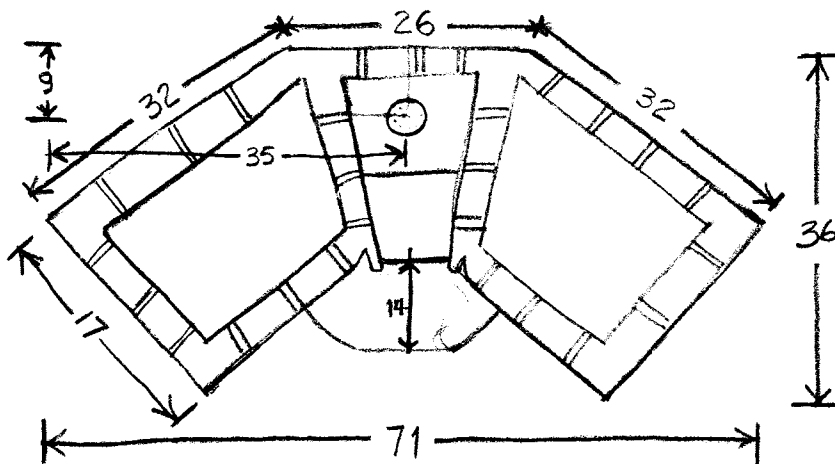
- Durable, Rugged, & Light Weight Polyurea Construction
- Emulates the Look of Hand-Laid Stacked Stone
- Two Integrated Planters
- Easy On-Deck Installation
- Great Garden Centerpieces when Used with Liner and Pump
- Rated at 950 Gallons Per Hour
- Available in 2 Colors; Hues May Vary
- Color is Chemically Bonded to Undercoat

WATERFALL DIMENSIONS - 6200

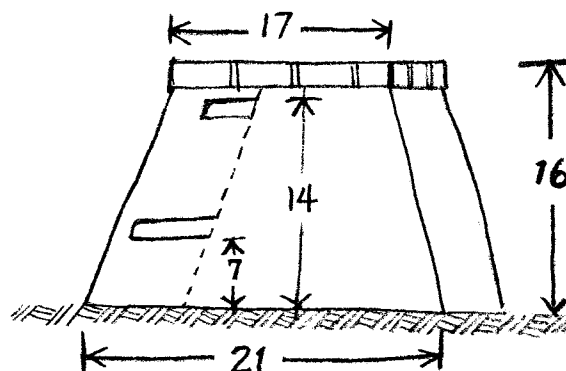
Length = 71"
Height = 16"
Width = 36"

Manor House Rock Colors =
 Desert Sandstone: -24; Gray/Brown Cobblestone: -25
(add custom color code behind part # when ordering)

TOP VIEW



SIDE VIEW



NOTE: All sizes +/- 2". Please check website for most current sizes & weights. (inter-fab.com)



Part # 7000 (waterfall only)
 Part # 7000T (waterfall, pump & plumbing)

FEATURES:

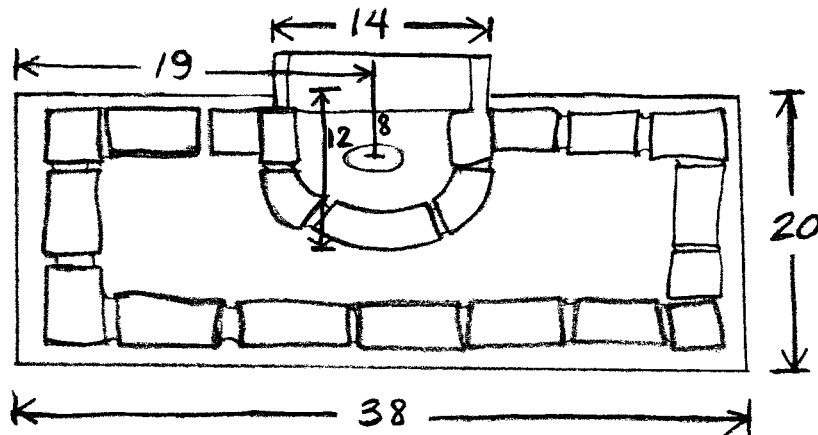
- Durable, Rugged, & Light Weight Polyurea Construction
- Emulates the Look of Hand-Laid Stacked Stone
- One Integrated Planter
- Easy On-Deck Installation
- Great Garden Centerpieces when Used with Liner and Pump
- Rated at 950 Gallons Per Hour
- Available in 2 Colors; Hues May Vary
- Color is Chemically Bonded to Undercoat

WATERFALL DIMENSIONS - 7000

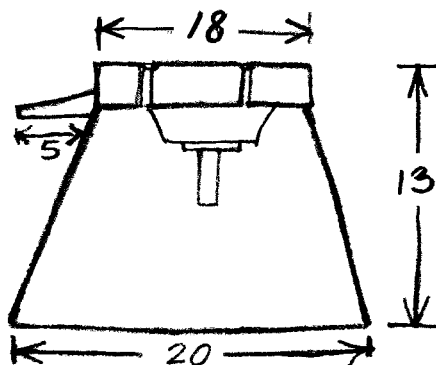
Length = 38"
Height = 13"
Width = 20"

Manor House Rock Colors =
 Desert Sandstone: -24; Gray/Brown Cobblestone: -25
(add custom color code behind part # when ordering)

TOP VIEW



SIDE VIEW



NOTE: All sizes +/- 2". Please check website for most current sizes & weights. (inter-fab.com)



Part # 7000E

Manor House Rock Colors =
Desert Sandstone: -24; Gray/Brown Cobblestone: -25
(add custom color code behind part # when ordering)

FEATURES:

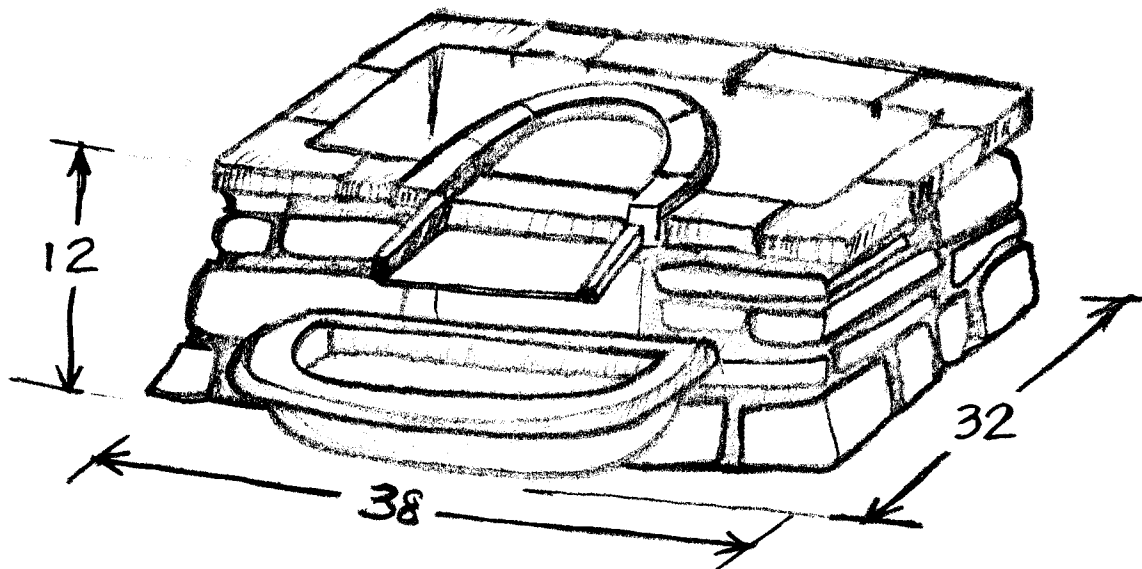
- Durable, Rugged, & Light Weight Polyurea Construction
- Emulates the Look of Hand-Laid Stacked Stone
- One Integrated Planter
- Self Contained Fountain
- Easy On-Deck Installation
- Pump & Plumbing Included
- Great Garden Centerpieces when Used with Liner and Pump
- Rated at 950 Gallons Per Hour
- Available in 2 Colors; Hues May Vary
- Color is Chemically Bonded to Undercoat

WATERFALL DIMENSIONS - 7000E

Length = 38"

Height = 12"

Width = 32"



NOTE: All sizes +/- 2". Please check website for most current sizes & weights. (inter-fab.com)



Part # 6300

Manor House Rock Colors =
Desert Sandstone: -24; Gray/Brown Cobblestone: -25
(add custom color code behind part # when ordering)

FEATURES:

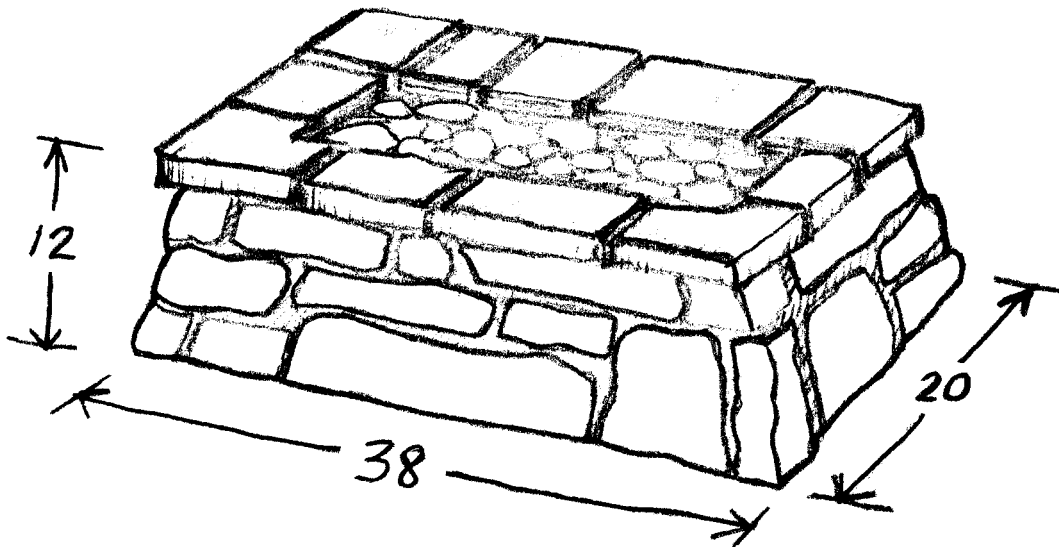
- Durable, Rugged, & Light Weight Polyurea Construction
- Emulates the Look of Hand-Laid Stacked Stone
- Look of Polished River Rock Bed
- Subtle, Yet Melodic Bubbling-Brook Sound
- Easy On-Deck Installation
- Pump Included
- Great Garden Centerpieces when Used with Liner and Pump
- Rated at 250 Gallons Per Minute
- Available in 2 Colors; Hues May Vary
- Color is Chemically Bonded to Undercoat

FOUNTAIN DIMENSIONS - 6300

Length = 38"

Height = 12"

Width = 20"



NOTE: All sizes +/- 2". Please check website for most current sizes & weights. (inter-fab.com)

Manor House Rock Colors =
 Desert Sandstone: -24; Gray/Brown Cobblestone: -25
 Wood Bench Colors =
 Teak: -26; Weathered Gray: -27
(add custom color code behind part # when ordering)

FEATURES:

- Durable, Rugged, & Light Weight Polyurea Construction
- Emulates the Look of Hand-Laid Stacked Stone
- Available in 2 Colors; Hues May Vary
- Color is Chemically Bonded to Undercoat

MH ACCESSORIES

DESCRIPTION	PART NUMBER
Stacked Stone Basin	Part #3602
Planter Box	Part #6400
Leisure Bench 8' (caps only)	Part #6500
Leisure Bench 8' (wood bench only)	Part #6800
Garden Bench 6' (caps only)	Part #6970
Garden Bench 6' (wood bench only)	Part #6980
Jump Rock™	Part #6050



Stacked Stone Basin
Part # 3602



Planter Box
Part # 6400



8' Leisure Bench
Part # 6500 (Caps Only)
Part # 6800 (Bench Only)



6' Garden Bench
Part # 6970 (Caps Only)
Part # 6980 (Bench Only)



Jump Rock™
Part # 6050



Part # 3602

FEATURES:

- Durable, Rugged, & Light Weight Polyurea Construction
- Emulates the Look of Hand-Laid Stacked Stone
- Available in 2 Colors; Hues May Vary
- Color is Chemically Bonded to Undercoat

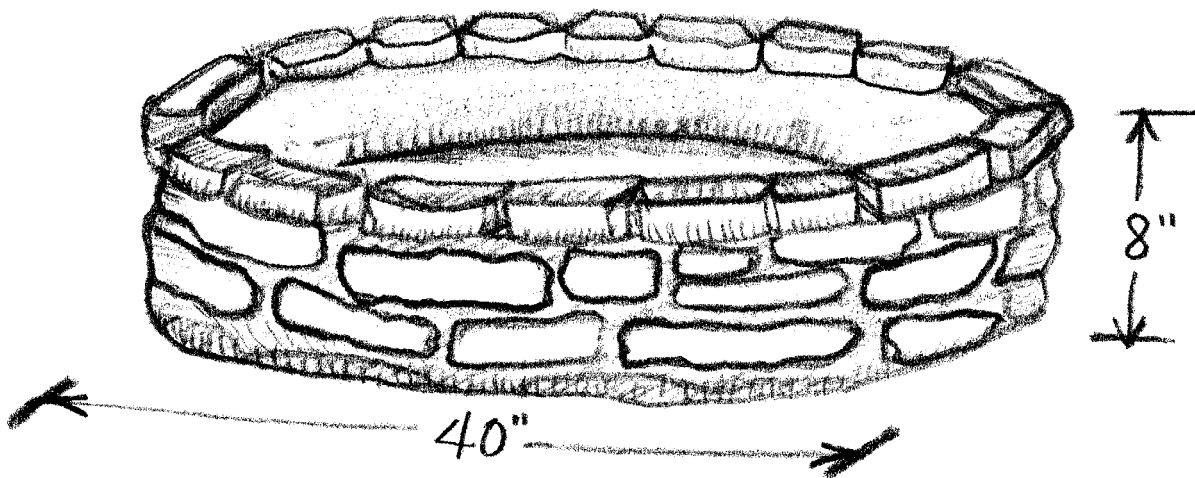
Manor House Rock Colors =
Desert Sandstone: -24; Gray/Brown Cobblestone: -25
(add custom color code behind part # when ordering)

BASIN DIMENSIONS - 3602

Length = 40"

Height = 8"

Width = 40"



NOTE: All sizes +/- 2". Please check website for most current sizes & weights. (inter-fab.com)



Part # 6400

FEATURES:

- Durable, Rugged, & Light Weight Polyurea Construction
- Emulates the Look of Hand-Laid Stacked Stone
- Available in 2 Colors; Hues May Vary
- Color is Chemically Bonded to Undercoat

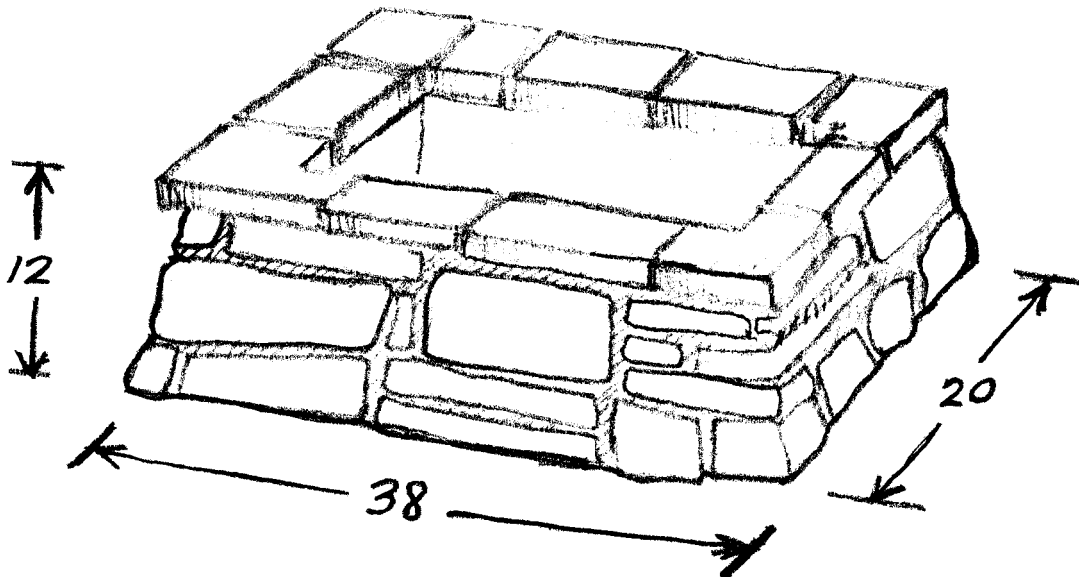
Manor House Rock Colors =
Desert Sandstone: -24; Gray/Brown Cobblestone: -25
(add custom color code behind part # when ordering)

PLANTER DIMENSIONS - 6400

Length = 38"

Height = 12"

Width = 20"



NOTE: All sizes +/- 2". Please check website for most current sizes & weights. (inter-fab.com)



FEATURES:

- Durable, Rugged, & Light Weight Polyurea Construction
- Emulates the Look of Hand-Laid Stacked Stone
- Available in 2 Colors; Hues May Vary
- Color is Chemically Bonded to Undercoat

Part # 6500 - supporting end caps only for 8' bench

Part # 6800 - 8' wood bench only

NOTE: You must order both part #s for a complete Leisure Bench.

Manor House Rock Colors =
 Desert Sandstone: -24; Gray/Brown Cobblestone: -25
 Wood Bench Colors =
 Teak: -26; Weathered Gray: -27
(add custom color code behind part # when ordering)

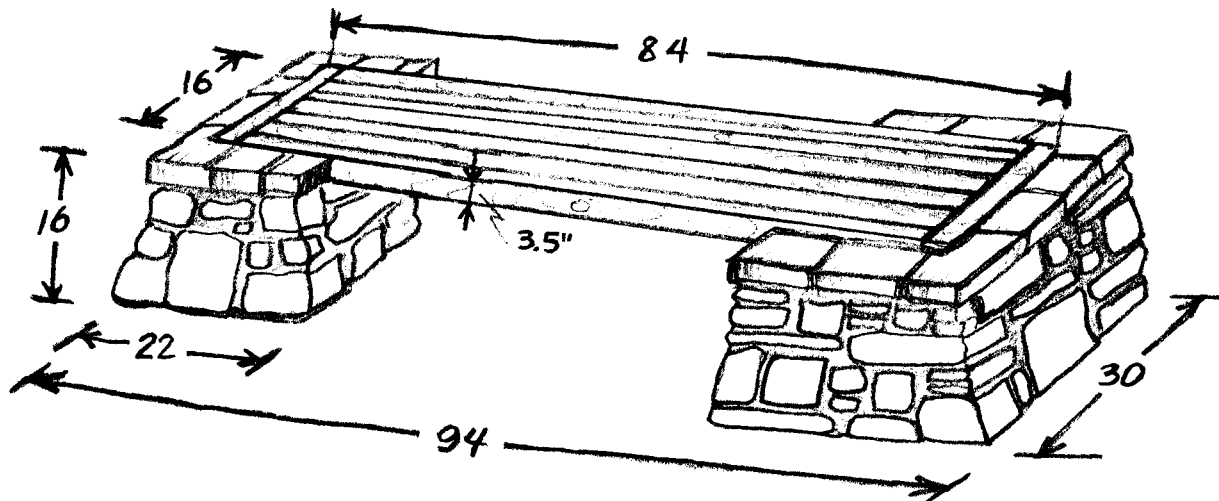
LEISURE BENCH DIMENSIONS - 6500

(Pair of End Caps)

Length = 30"

Height = 16"

Width = 22"



8' BENCH DIMENSIONS - 6800

(Wood Bench)

Length = 84"

Height = 3.5"

Width = 16"

NOTE: All sizes +/- 2". Please check website for most current sizes & weights. (inter-fab.com)



FEATURES:

- Durable, Rugged, & Light Weight Polyurea Construction
- Emulates the Look of Hand-Laid Stacked Stone
- Available in 2 Colors; Hues May Vary
- Color is Chemically Bonded to Undercoat

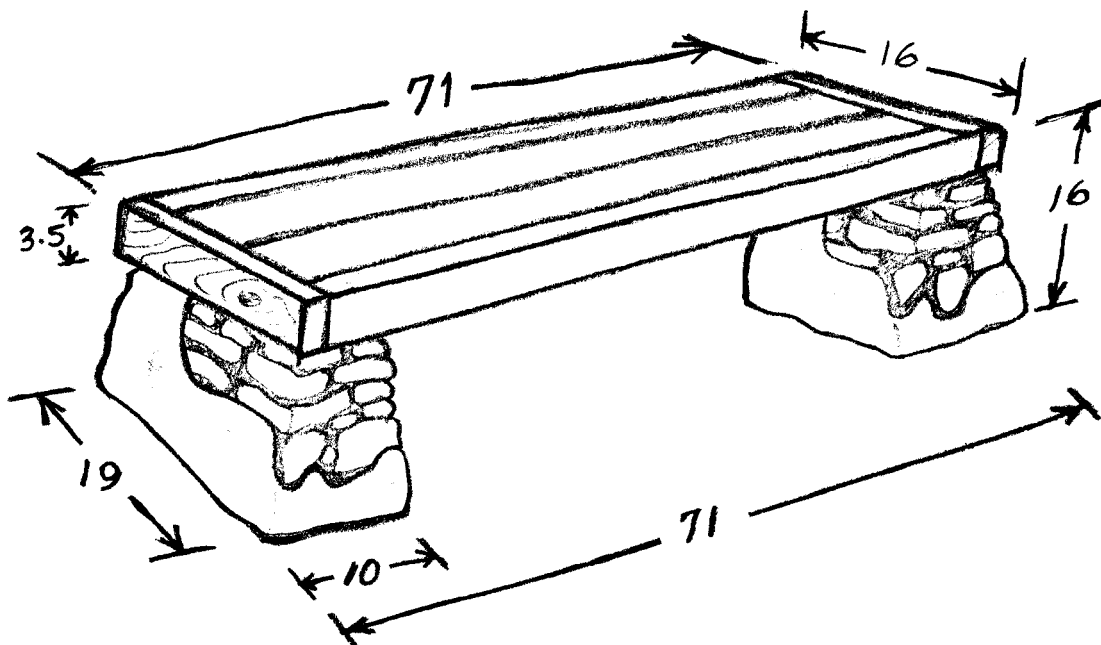
Part # 6970 - supporting end caps only for 6' bench

Part # 6980 - 6' wood bench only

NOTE: You must order both part #s for a complete Garden Bench.

Manor House Rock Colors =
 Desert Sandstone: -24; Gray/Brown Cobblestone: -25
 Wood Bench Colors =
 Teak: -26; Weathered Gray: -27
(add custom color code behind part # when ordering)

GARDEN BENCH DIMENSIONS - 6970
(Pair of End Caps)
 Length = 19"
 Height = 14.5"
 Width = 10"



6' BENCH DIMENSIONS - 6980
(Wood Bench)
 Length = 71"
 Height = 3.5"
 Width = 16"

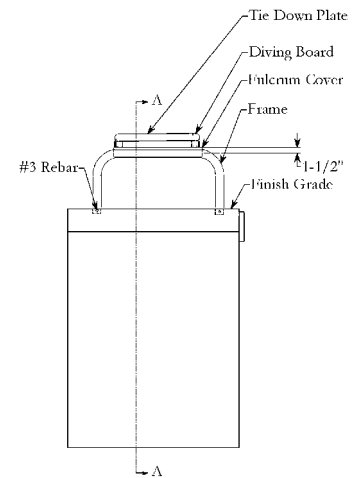
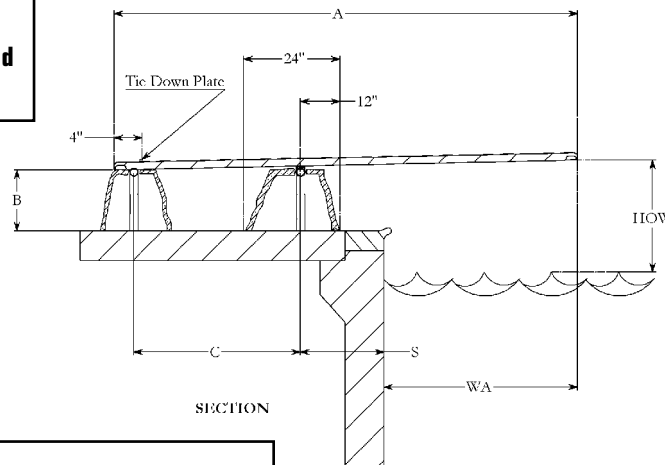
NOTE: All sizes +/- 2". Please check website for most current sizes & weights. (inter-fab.com)



Part # 6050

Standard Board = Duro-Beam 6', 8' or 10'
 Upgrade 1 = Techni-Beam 6', 8' or 10'
 Upgrade 2 = Olympian 6', 8' or 10'

Diving Board Colors:
 Black: -2; Tan: -7; Gray: -9
(add custom color code behind part # when ordering)



Manor House Rock Colors =
 Desert Sandstone: -24; Gray/Brown Cobblestone: -25
(add custom color code behind part # when ordering)

ELEVATION

IMPORTANT:	U-STANDARDS PART #	NOMINAL BOARD LENGTH (A)	ANSI/ NSPI-5 POOL TYPE	DISTANCE FROM POOL EDGE TO FORWARD U-STAND (S)	DISTANCE FROM END OF BOARD TO FORWARD U-STAND	MIN. OVERHANG PLUS OR MINUS 3" WA*	MAX HEIGHT OF BOARD ABOVE WATER HOW
THESE DIMENSIONS ARE ACCURATE ONLY FOR VERTICAL POOL WALLS, TYPICALLY GUNITE CONSTRUCTION , WITH LESS THAN A 3' RADIUS TO THE POOL FLOOR. DUE TO THE VARYING SIZES OF OTHER POOLS, TYPICALLY VINYL LINER CONSTRUCTION , PLEASE CONTACT CUSTOMER SERVICE FOR PROPER JIG PLACEMENT. 1-800-737-5386	DBU12049	6'	I	18"	36.25"	18"	20"
	DBU12049	6'	II	18"	36.25"	18"	20"
	DBU12049	6'	III	22"	36.25"	24"	26"
	DBU12049	6'	IV	Won't work with rock	NA	NA	NA
	DBU12049	6'	V	Won't work with rock	NA	NA	NA
	DBU12049	8'	I	doesn't meet NSPI std.	NA	NA	NA
	DBU12049	8'	II	32"	50"	18"	20"
	DBU12049	8'	III	26"	50"	24"	26"
	DBU12049	8'	IV	20"	50"	30"	30"
	DBU12049	8'	V	14"	50"	36"	40"
	DBU12049	10'	I	doesn't meet NSPI std.	NA	NA	NA
	DBU12049	10'	II	doesn't meet NSPI std.	NA	NA	NA
	DBU12049	10'	III	38"	62"	24"	26"
	DBU12049	10'	IV	32"	62"	30"	30"
	DBU12049	10'	V	26"	62"	36"	40"