



CP-30

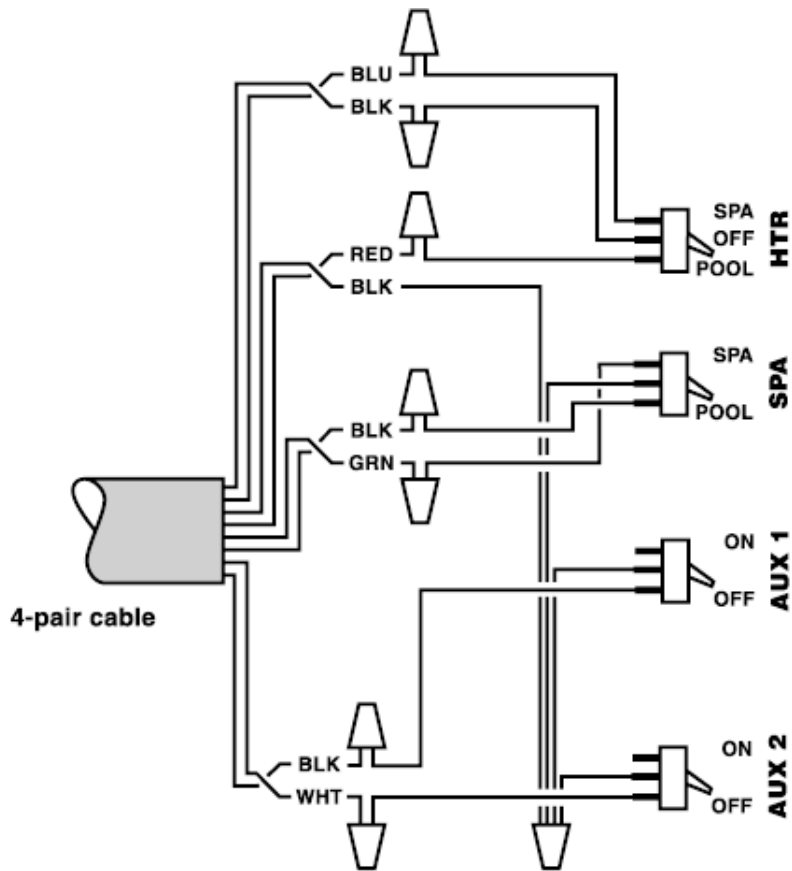
APPLICATION:

Remote Control for CP30/T and CP30/TL control systems.

KIT INCLUDES:

- 3COND HOOK-UP CABLE (POWER CENTER TO HEATER, 25')
- 4PAIR HOOK-UP CABLE (POWER CENTER TO REMOTE CONTROL, 100')
- CP-30 REMOTE CONTROL (w/ 10 BLUE WIRE NUTS, 1 ORANGE WIRE NUT, 2 MOUNTING SCREWS)

Pentair Pool Products, Inc.
1620 Hawkins Ave., Sanford, NC 27330 • (919) 774-4151
10951 W. Los Angeles Ave., Moorpark, CA 93021 • (805) 523-2400



INSTALLATION:

Provide a standard single-gang electrical box for mounting the CP-30 Remote Control. If located outdoors, the electrical box must be raintight (**use silicone sealer**).

Strip jacket of 4-pair cable 6" to identify the twisted pairs and assure correct connections. Strip insulation of each wire 3/8", and connect to switch pigtails using wire nuts in accordance with appropriate wiring diagram.

Mount Remote Control to electrical box, using gasket and mounting screws provided.