



ATTENTION INSTALLER: This manual contains important information about the installation, operation and safe use of this product. This information should be given to the owner/operator of this equipment.

Installation and Operation Manual

SpaLink® RS



8 Function Spa Side Remote

(For use with AquaLink® RS)

WARNING

FOR YOUR SAFETY - Before attempting any electrical wiring, be sure to read and follow Safety Instructions. Wiring should only be attempted by a qualified professional pool/spa service technician. The procedures in this manual must be followed exactly.

RISK OF ELECTRIC SHOCK WHICH CAN RESULT IN SERIOUS INJURY OR DEATH. Before attempting installation of service, ensure that all power to the circuit supplying power to the system is disconnected/turned off at the circuit breaker. Connect only to a circuit protected by a ground fault circuit-interrupter (GFCI).

Table of Contents

Section 1. IMPORTANT SAFETY INSTRUCTIONS.....	4
Section 2. Product Description	6
Section 3. Installation Instructions	7
3.1 Installation of SpaLink Without Snap-on Frame (Surface Mount).....	7
3.1.1 Vertical Installation into the Spa Wall.....	7
3.1.2 Horizontal Installation into the Deck	8
3.2 Installation Template of SpaLink With Snap-on Frame	9
3.2.1 Horizontal Installation Flush Mounted into a Wood Deck.....	9
3.3 Installation of Spalink with Snap-on Frame	10
3.3.1 Vertical Surface Installation with Optional Mud Box.....	10
3.3.2 Horizontal Surface Installation with Optional Mud Box	11
3.4 Installation of SpaLink Flush Mount Mud Box.....	12
3.4.1 Rough-in Installation on a Vertical Wall	12
3.4.2 Rough-in Installation on a Horizontal Surface	13
Section 4. Wiring Configuration Installation	14
4.1 Bonding	14
4.2 Control Wiring	14
Section 5. Operating the SpaLink RS	15
Section 6. Programming the SpaLink RS	16
6.1 Using the All Button	16
6.2 Using the OneTouch	16
Template for Installation of SpaLink with Snap-on Frame Only	17

Section 1. IMPORTANT SAFETY INSTRUCTIONS

READ AND FOLLOW ALL INSTRUCTIONS

LIRE LA NOTICE TECHNIQUE

All electrical work must be performed by a licensed electrician and conform to all national, state, and local codes. When installing and using this electrical equipment, basic safety precautions should always be followed, including the following:

WARNING

CHILDREN SHOULD NOT USE SPAS OR HOT TUBS WITHOUT ADULT SUPERVISION.

AVERTISSEMENT

NE PAS LAISSER LES ENFANTS UTILISER UNE CUVE DE RELAXATION SANS SURVEILLANCE.

WARNING

DO NOT USE SPAS OR HOT TUBS UNLESS ALL SUCTION GUARDS ARE INSTALLED TO PREVENT BODY AND HAIR ENTRAPMENT.

AVERTISSEMENT

POUR ÉVITER QUE LES CHEVEUX OU UNE PARTIE DU CORPS PUISSENT ÊTRE ASPIRÉS, NE PAS UTILISER UNE CUVE DE RELAXATION SI LES GRILLES DE PRISE D'ASPIRATION NE SONT PAS TOUTES EN PLACE.

WARNING

OBESSE PERSONS AND PEOPLE USING MEDICATIONS AND/OR HAVING AN ADVERSE MEDICAL HISTORY SHOULD CONSULT A PHYSICIAN BEFORE USING A SPA OR HOT TUB.

PEOPLE WITH INFECTIOUS DISEASES SHOULD NOT USE A SPA OR HOT TUB.

TO AVOID INJURY, EXERCISE CARE WHEN ENTERING OR EXITING THE SPA OR HOT TUB.

DO NOT USE DRUGS OR ALCOHOL BEFORE OR DURING THE USE OF A SPA OR HOT TUB TO AVOID UNCONSCIOUSNESS AND POSSIBLE DROWNING.

PREGNANT OR POSSIBLY PREGNANT WOMEN SHOULD CONSULT A PHYSICIAN BEFORE USING A SPA OR HOT TUB.

WATER TEMPERATURE IN EXCESS OF 100°F/38°C MAY BE INJURIOUS TO YOUR HEALTH.

BEFORE ENTERING A SPA OR HOT TUB MEASURE THE WATER TEMPERATURE WITH AN ACCURATE THERMOMETER.

DO NOT USE A SPA OR HOT TUB IMMEDIATELY FOLLOWING STRENUOUS EXERCISE.

PROLONGED IMMERSION IN A SPA OR HOT TUB MAY BE INJURIOUS TO YOUR HEALTH.

AVERTISSEMENT

LES PERSONNES QUI PRENNENT DES MÉDICAMENTS OU ONT DES PROBLÈMES DE SANTÉ DEVRAIENT CONSULTER UN MÉDECIN AVANT D'UTILISER UNE CUVE DE RELAXATION.

LES PERSONNES ATTEINTES DE MALADIES INFECTIEUSES NE DEVRAIENT PAS UTILISER UNE CUVE DE RELAXATION.

POUR ÉVITER DES BLESSURES, USER DE PRUDENCE EN ENTRANT DANS UNE CUVE DE RELAXATION ET EN SORTANT.

POUR ÉVITER L'ÉVANOUISSEMENT ET LA NOYADE ÉVENTUELLE, NE PRENDRE NI DROUGUE NI ALCOOL AVANT D'UTILISER UNE CUVE DE RELAXATION NI QUAND ON S'Y TROUVE.

LES FEMMES ENCEINTES, QUE LEUR GROSSESSE SOIT CONFIRMÉE OU NON, DEVRAIENT CONSULTER UN MÉDECIN AVANT D'UTILISER UNE CUVE DE RELAXATION.

IL PEUT ÊTRE DANGEREUX POUR LA SANTÉ DE SE PLONGER DANS DE L'EAU À PLUS DE 38°C/100°F.

AVANT D'UTILISER UNE CUVE DE RELAXATION MESURER LA TEMPÉRATURE DE L'EAU À L'AIDE D'UN THERMOMÈTRE PRÉCIS.

NE PAS UTILISER UNE CUVE DE RELAXATION IMMÉDIATEMENT APRÈS UN EXERCICE FATIGANT.

L'UTILISATION PROLONGÉE D'UNE CUVE DE RELAXATION PEUT ÊTRE DANGEREUSE POUR LA SANTÉ.

⚠ WARNING

THE USE OF ALCOHOL, DRUGS OR MEDICATION CAN GREATLY INCREASE THE RISK OF FATAL HYPOTHERMIA IN HOT TUBS AND SPAS.

⚠ AVERTISSEMENT

LA CONSOMMATION D'ALCOOL OU DE DROGUE AUGMENTE CONSIDÉRABLEMENT LES RISQUES D'HYPOTHERMIE MORTELLE DANS UNE CUVE DE RELAXATION.

⚠ WARNING

PROLONGED IMMERSION IN HOT WATER MAY INDUCE HYPOTHERMIA. HYPOTHERMIA OCCURS WHEN THE INTERNAL TEMPERATURE OF THE BODY REACHES A LEVEL SEVERAL DEGREES ABOVE THE NORMAL BODY TEMPERATURE OF 98.6° F. THE SYMPTOMS OF HYPOTHERMIA INCLUDE DIZZINESS, FAINTING, DROWSINESS, LETHARGY, AND AN INCREASE IN THE INTERNAL TEMPERATURE OF THE BODY. THE EFFECTS OF HYPOTHERMIA INCLUDE: 1) UNAWARENESS OF IMPENDING DANGER; 2) FAILURE TO PERCEIVE HEAT; 3) FAILURE TO RECOGNIZE THE NEED TO EXIT SPA; 4) PHYSICAL INABILITY TO EXIT SPA; 5) FETAL DAMAGE IN PREGNANT WOMEN; 6) UNCONSCIOUSNESS RESULTING IN A DANGER OF DROWNING.

**ATTENTION INSTALLER:**

The SpaLink® RS Spa Side Remote must be installed in a position so that it will not be continuously submerged in water.

SAVE THESE INSTRUCTIONS

Section 2. Product Description

NOTE *For use with an AquaLink® RS System **ONLY!**
AquaLink® RS software revision must be Rev. "G" or later.*

The SpaLink® RS Spa Side Remote is a double insulated, submersible device which is ETL listed (to UL Standard 1563) for installation at the water's edge. It is typically installed at the tile-line of the spa wall, or in the deck within arm's reach of the spa. It can be used with a gunite spa, acrylic spa, or hot-tub.

When installing the SpaLink RS Remote, it is important to make provisions for this hard-wired remote **before pool/spa construction is complete** by running electrical conduit from the desired remote location to the future Power Center location. *Do not install the SpaLink RS Remote until construction of spa and deck is complete.*

Section 3. Installation Instructions

⚠ WARNING

Potentially high voltages in the AquaLink RS Power Center can create dangerous electrical hazards, possibly causing death, serious injury or property damage. Turn off power at the main circuit of the AquaLink RS Power Center to disconnect the Power Center from the system.

3.1 Installation of SpaLink Without Snap-on Frame (Surface Mount)

NOTE For any type of installation, do not install the SpaLink until the construction of the pool/spa or deck is complete.

3.1.1 Vertical Installation into the Spa Wall

1. Install a 6" (minimum) piece of 1½" or 1" Schedule 40 PVC pipe in the pool/spa wall so that the SpaLink RS Remote will not be constantly submerged. A 1½" to 1" adapter is included for use if 1½" PVC pipe is being used. This pipe will house the remote installed vertically in the wall of the pool or spa. Carefully trim the end of the pipe flush with the wall after all tile work is completed. There must be least 2" of clearance from coping stones or other raised objects to the Schedule 40 pipe.
2. Install a reducer to the end of the 6" piece of pipe and run a ½" or ¾" electrical conduit underground from the reducer to the AquaLink® RS Power Center location (refer to the AquaLink RS Installation Manual for further details on the Power Center). Use sweep elbows for turns (do not use 90° elbows) so that the SpaLink RS cable can be easily pulled through later.
3. Use a snake (or similar tool) to pull the SpaLink RS cable through the conduit to the Power Center. At the Power Center, feed the SpaLink RS cable into the low voltage compartment (left side). Strip the cable jacket 4" and strip each wire ¼". Use the Wiring Diagram on the inside of the Power Center door to piggyback (double-up) the SpaLink RS wires with the 4-pin terminal bar. See the Wiring Diagram on page 14 of these instructions.
4. Apply a silicone sealant around the edge of the cone-shaped base of the SpaLink RS and slide it into the adapter (if one is being used), then into the PVC. At the mounting location, press (do not screw) the SpaLink RS into the PVC. Place a 1/8" bead of silicone sealant around the back of the SpaLink RS and let cure.

NOTE Do not alter the SpaLink RS housing. Cutting the housing may damage its seal and will void the warranty.

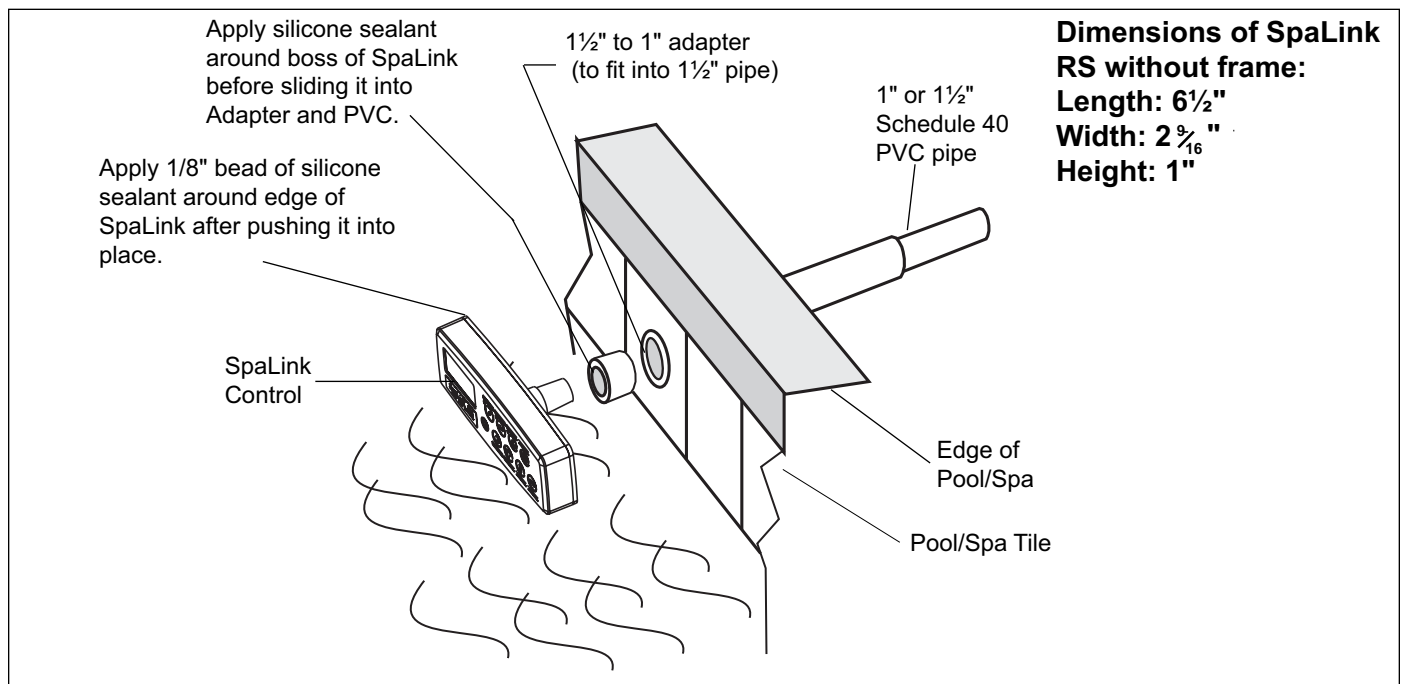


Figure 1. Installation on a Vertical Surface

3.1.2 Horizontal Installation into the Deck

⚠ WARNING

The positioning and location of the spa side control should be selected to avoid a tripping hazard which can result in injury.

1. To house the SpaLink RS, plumb a 6" long piece of 1½" or 1" Schedule 40 PVC pipe. A 1½" to 1" adapter is included for use if 1½" PVC is being used. Carefully trim the end of the pipe flush with the deck after all the deck work is completed. Leave at least 2" of clearance around the conduit from coping stones or other raised objects.

NOTE Remove "O" rings before pressing SpaLink RS into a 1" hole in an acrylic spa or wood deck. Use the adapter to secure the SpaLink RS in place from under the deck.

2. Install a reducer to the end of the 6" piece of pipe and run a ½" or ¾" electrical conduit underground from the reducer to the AquaLink RS Power Center location (refer to the AquaLink RS Installation Manual for further details on the Power Center). Use sweep elbows for turns so that the SpaLink RS cable can be easily pulled through later.
3. Use a snake (or similar tool) to pull the SpaLink RS cable through the conduit to the Power Center. At the Power Center, feed the SpaLink RS cable into the low voltage compartment (left-hand side). Strip the cable jacket 4" and strip each wire ¼". Use the Wiring Diagram on the inside of the Power Center door to piggyback (double-up) the SpaLink RS wires with the 4-pin terminal bar.
4. Apply a silicone sealant around the edge of the cone-shaped base of the SpaLink RS and slide it into the adapter (if one is being used), then into the PVC. At the mounting location, press (do not screw) the SpaLink RS into the PVC. Place a 1/8" bead of silicone sealant around the back of SpaLink and let cure.

NOTE Do not alter the SpaLink RS housing. Cutting the housing may damage its seal and will void the warranty.

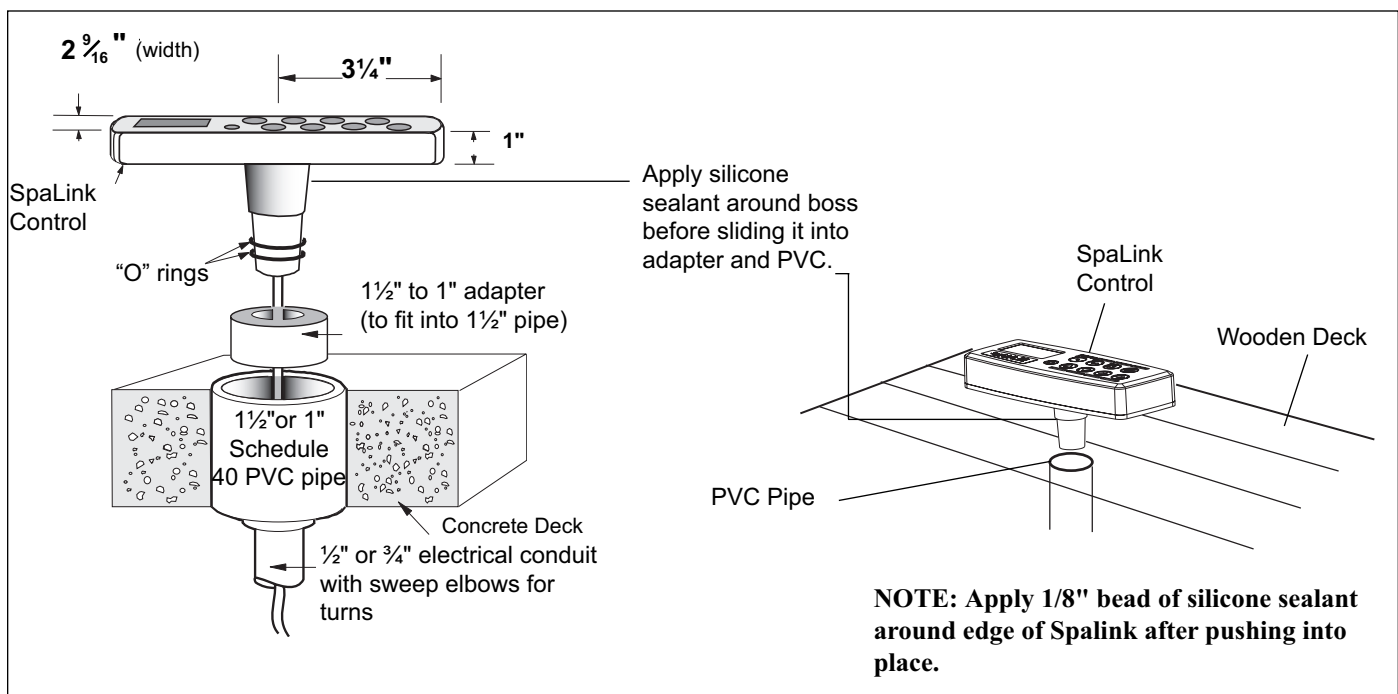


Figure 2. Installation on a Horizontal Surface (Concrete and Wooden Deck shown)

3.2 Installation Template of SpaLink With Snap-on Frame

3.2.1 Horizontal Installation Flush Mounted into a Wood Deck

WARNING

The positioning and location of the spa side control should be selected to avoid a tripping hazard which can result in injury.

1. Use template (page 17) to position and mark the opening to be cut through the deck. Run a 1/2" or 3/4" electrical conduit from a position adjacent to this hole to the AquaLink RS Power Center location. Use sweep elbows for turns so that the SpaLink RS cable can be easily pulled through later.
2. Use a snake (or similar tool) to pull the SpaLink RS cable through the conduit to the Power Center. At the Power Center, feed the SpaLink RS cable into the low voltage compartment (left-hand side). Strip the cable jacket 4" and strip each wire 1/4". Use the Wiring Diagram on the inside of the Power Center door to piggyback (double-up) the SpaLink RS wires with the 4-pin terminal bar.
3. Apply a 1/4" to 3/8" diameter bead of silicone sealant all around the part at the corner shown below in Figure 3. Position the SpaLink within the opening and temporarily tape the SpaLink control to the correct position. Allow 24 hours for the sealant to cure.

NOTE Do not alter the SpaLink RS housing. Cutting the housing may damage its seal and will void the warranty.

IMPORTANT *Wood must be dry before sealant is applied.*

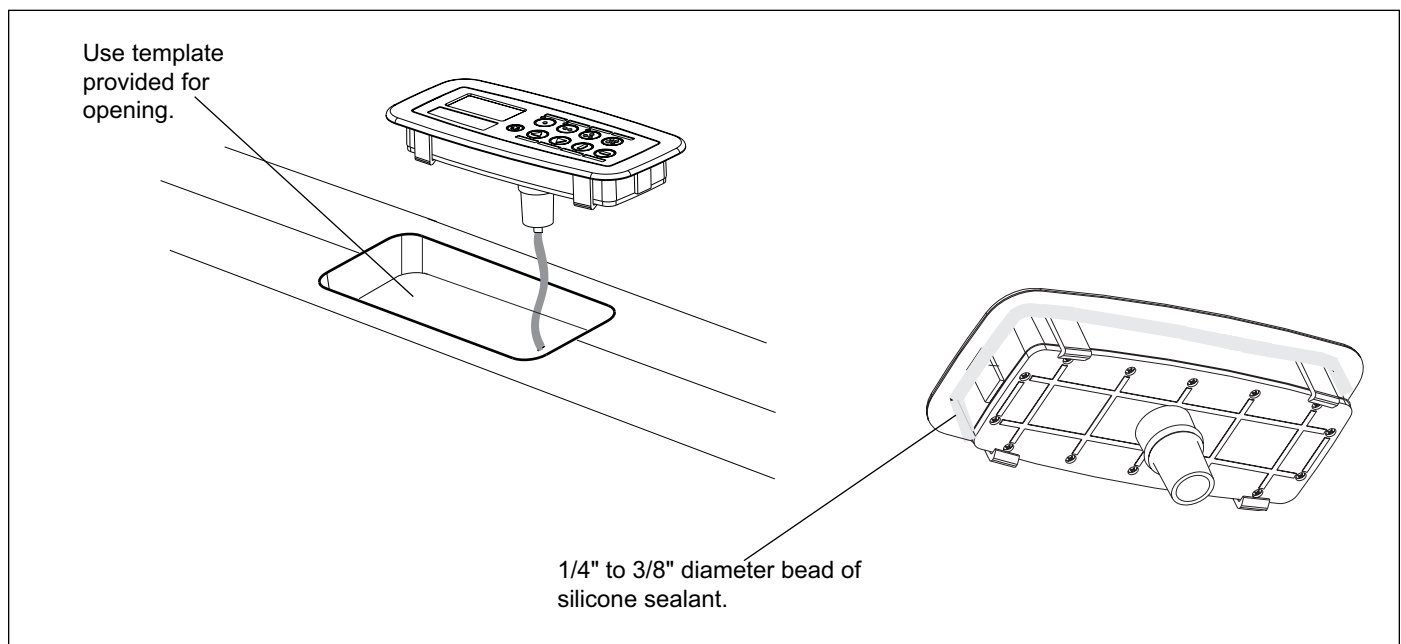


Figure 3. Flush Mount Installation on a Wood Deck

3.3 Installation of Spalink with Snap-on Frame

3.3.1 Vertical Surface Installation with Optional Mud Box

NOTE Order part no. 7940 SpaLink Mud Box for use with tile or concrete.

WARNING

The positioning and location of the spa side control should be selected to avoid a tripping hazard which can result in injury.

1. Refer to page 12 to install the optional mud box for use with concrete or tile.
2. Install a reducer from the end of the 1" Schedule 40 PVC pipe and run a 1/2" or 3/4" electrical conduit underground from the reducer to the AquaLink RS Power Center location. Use sweep elbows for turns so that the SpaLink RS cable can be easily pulled through later.
3. Use a snake (or similar tool) to pull the SpaLink RS cable through the conduit to the Power Center. At the Power Center, feed the SpaLink RS cable into the low voltage compartment (left side). Strip the cable jacket 4" and strip each wire 1/4". Use the Wiring Diagram on the inside of the Power Center door to piggyback (double-up) the SpaLink RS wires with the 4-pin terminal bar.
4. Apply silicone sealant to each leg of the SpaLink frame and secure to the SpaLink housing. *The SpaLink frame must be clean and dry before applying sealant.* Position the SpaLink within the mud box and temporarily tape the SpaLink control into the correct position. Allow 24 hrs for the sealant to cure, then remove the tape.

NOTE Do not alter the SpaLink RS housing. Cutting the housing may damage its seal and will void the warranty.

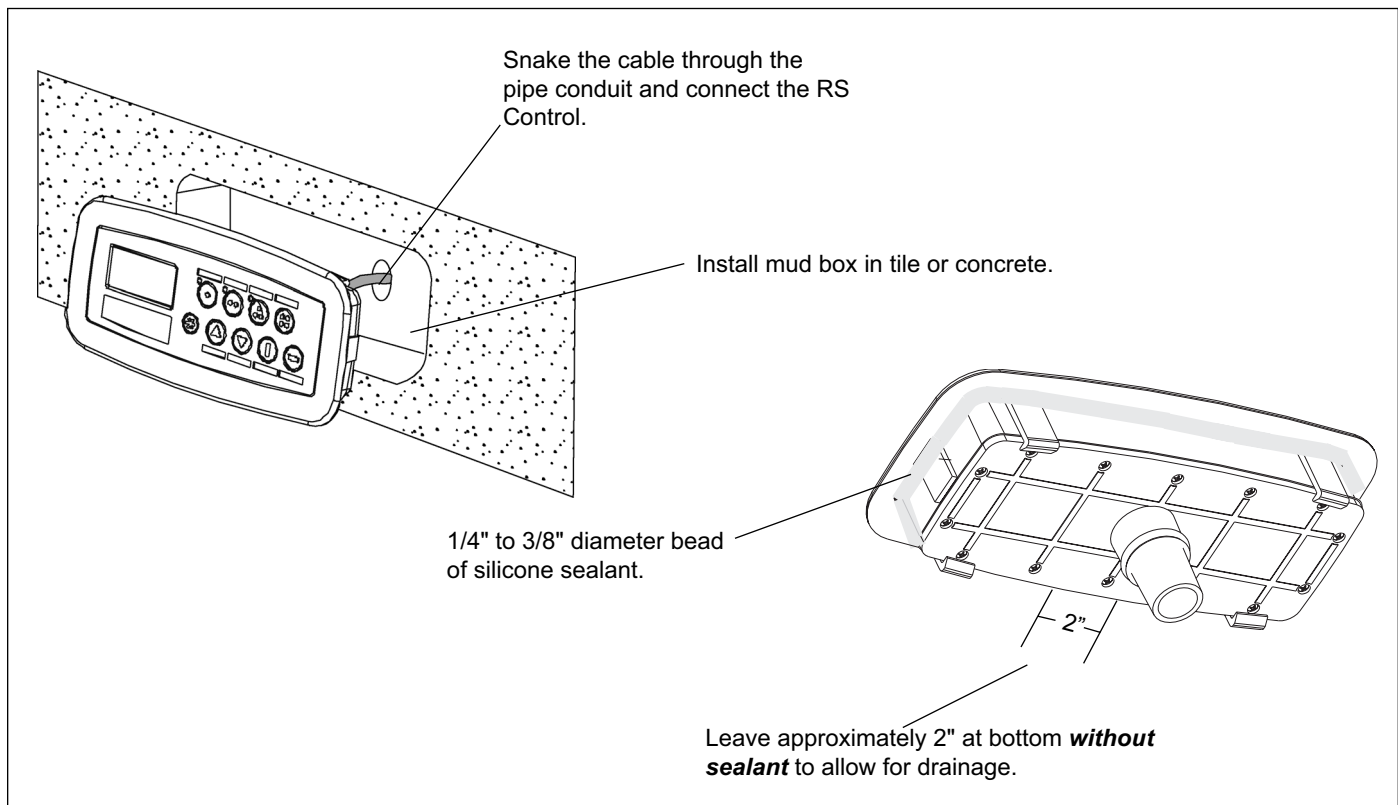


Figure 4. Vertical Installation with Optional Mud Box

3.3.2 Horizontal Surface Installation with Optional Mud Box

NOTE Order part no. 7940 SpaLink Mud Box for use with tile or concrete.

⚠ WARNING

The positioning and location of the spa side control should be selected to avoid a tripping hazard which can result in injury.

1. Refer to page 13 to install the optional mud box for use with concrete or tile.

CAUTION

A 1/2" inside diameter drain tube must be connected to the mudbox to eliminate any standing water around the control. See SpaLink Mud Box for horizontal surface installation instructions on page 13.

2. Install a reducer from the end of the 1" Schedule 40 PVC pipe and run a 1/2" or 3/4" electrical conduit underground from the reducer to the AquaLink RS Power Center location. Use sweep elbows for turns so that the SpaLink RS cable can be easily pulled through later.
3. Use a snake (or similar tool) to pull the SpaLink RS cable through the conduit to the Power Center. At the Power Center, feed the SpaLink RS cable into the low voltage compartment (left side). Strip the cable jacket 4" and strip each wire 1/4". Use the Wiring Diagram on the inside of the Power Center door to piggyback (double-up) the SpaLink RS wires with the 4-pin terminal bar.
4. Apply silicone sealant to each leg of the SpaLink frame and secure to the SpaLink housing. *The SpaLink frame must be clean and dry before applying sealant.* Position the SpaLink within the mud box and temporarily tape the SpaLink control into the correct position. Allow 24 hrs for the sealant to cure, then remove the tape.

NOTE Do not alter the SpaLink RS housing. Cutting the housing may damage its seal and will void the warranty.

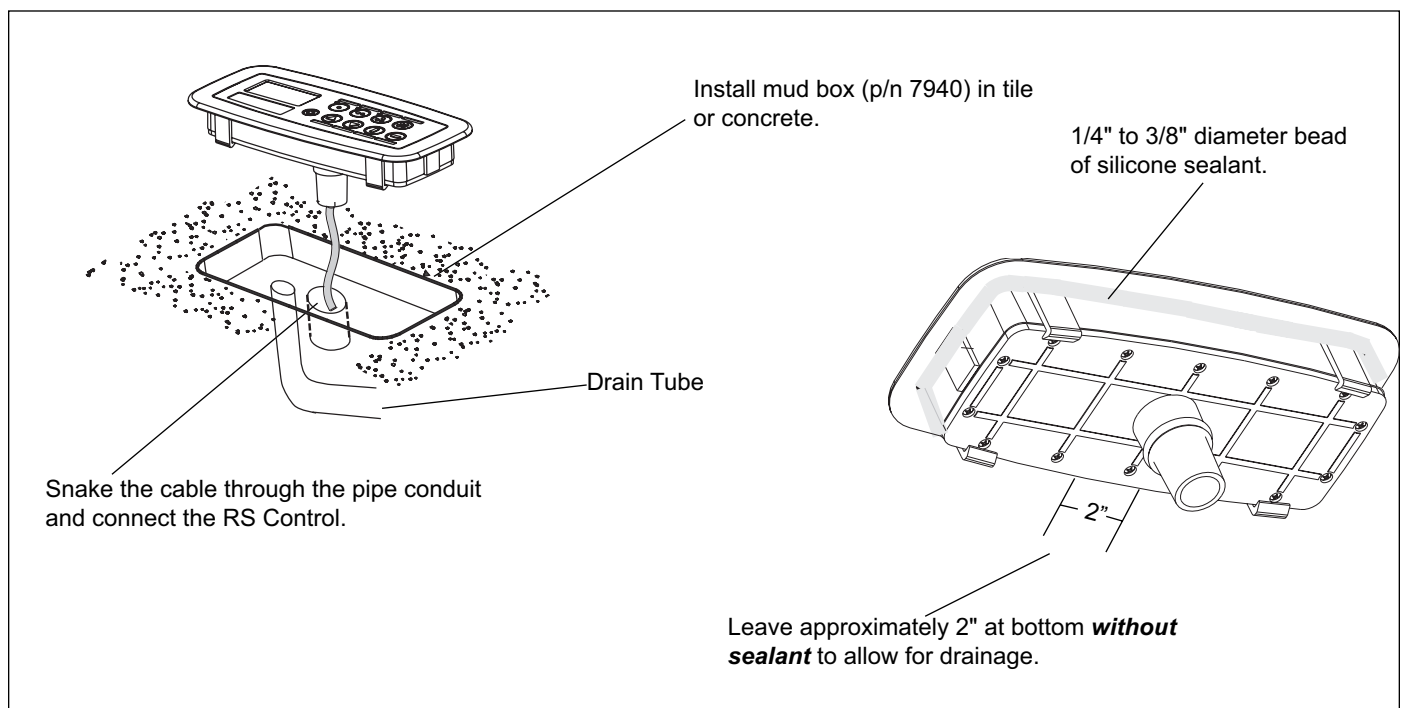


Figure 5. Horizontal Installation with Optional Mud Box

3.4 Installation of SpaLink Flush Mount Mud Box

3.4.1 Rough-in Installation on a Vertical Wall

NOTE Order part no. 7940 SpaLink Mud Box for use with tile or concrete.

NOTE These instructions are for installing the SpaLink Flush Mount Mud Box. The mud box is for use with the *new style SpaLink that is provided with a matching snap-on frame*. The mud box will not work with the earlier version of SpaLink.

1. Locate position to install mud box. The mud box face must be installed flush to the finished surface. It may be installed up to ¼" underflush to finished surface.

NOTE The mud box *must* be installed above the normal water line.

NOTE Leave the foam insert in place during construction.

2. Install 1" Schedule 40 PVC pipe for wiring conduit. Reduce to ½" or ¾" and connect to electrical conduit with sweep elbows for run back to the AquaLink RS Power Center location. Sweep elbows allow for turns so that the SpaLink RS cable can be easily pulled through later.
3. Apply a ¼" to ¾" diameter bead of silicone sealant around the mud box. Position and secure the mud box in place. Figure 6 shows mud box secured to rebar.

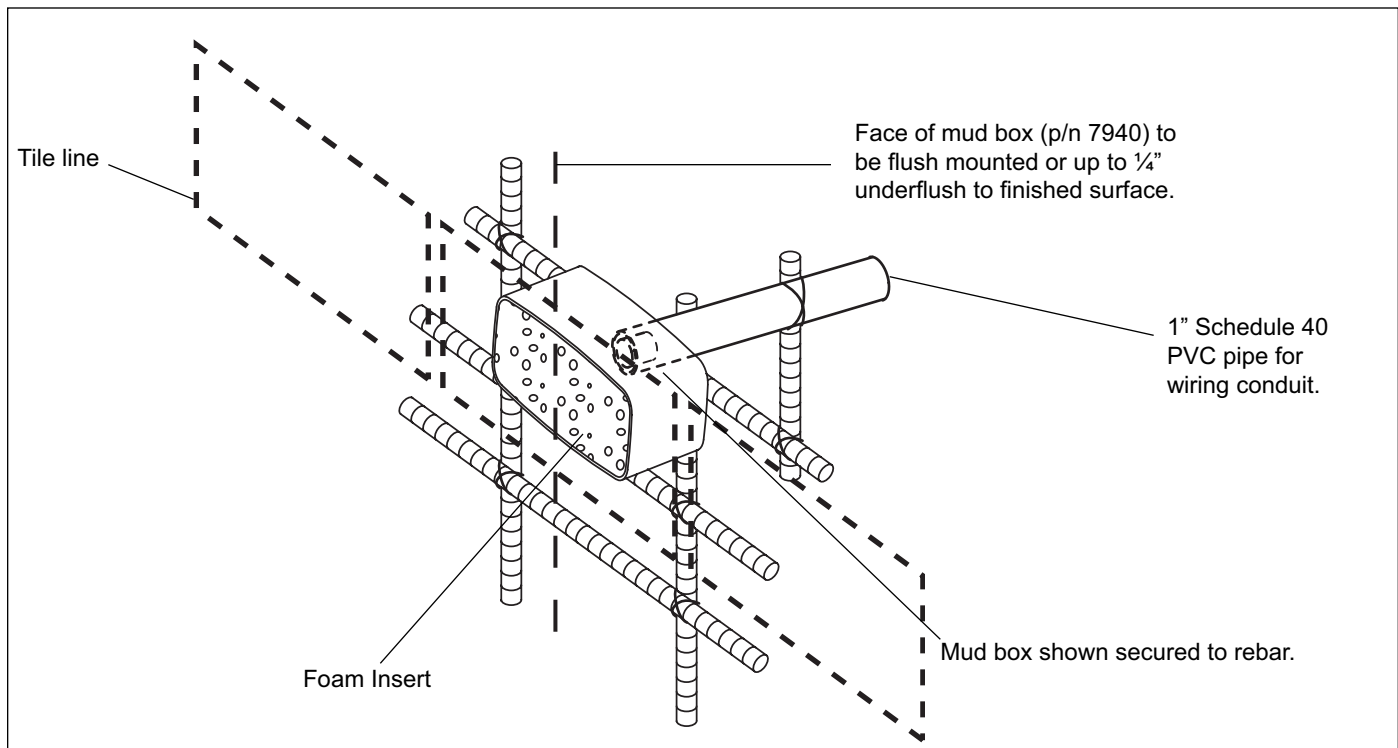


Figure 6. Vertical Wall Rough-in Installation

3.4.2 Rough-in Installation on a Horizontal Surface

NOTE Order part no. 7940 SpaLink Mud Box for use with tile or concrete.

NOTE These instructions are for installing the SpaLink Flush Mount Mud Box. The mud box is for use with the *new style SpaLink that is provided with a matching snap-on frame*. The mud box will not work with the earlier version of SpaLink.

1. Locate position to install mud box. The mud box face must be installed flush to the finished surface. It may be installed up to $\frac{1}{4}$ " underflush to finished surface.

NOTE Leave the foam insert in place during construction.

2. Cut the end of the drain boss on mud box and attach $\frac{1}{2}$ " I.D. plastic tubing. Route tubing to a suitable location to allow the control box to drain.
3. Install 1" Schedule 40 PVC pipe for wiring conduit. Reduce to $\frac{1}{2}$ " or $\frac{3}{4}$ " and connect to electrical conduit with sweep elbows for run back to the AquaLink® RS Power Center location. Sweep elbows allow for turns so that the SpaLink RS cable can be easily pulled through later.
4. Apply a $\frac{1}{4}$ " to $\frac{3}{8}$ " diameter bead of silicone sealant around the mud box. Position and secure the mud box in place. Figure 7 shows mud box secured to rebar.

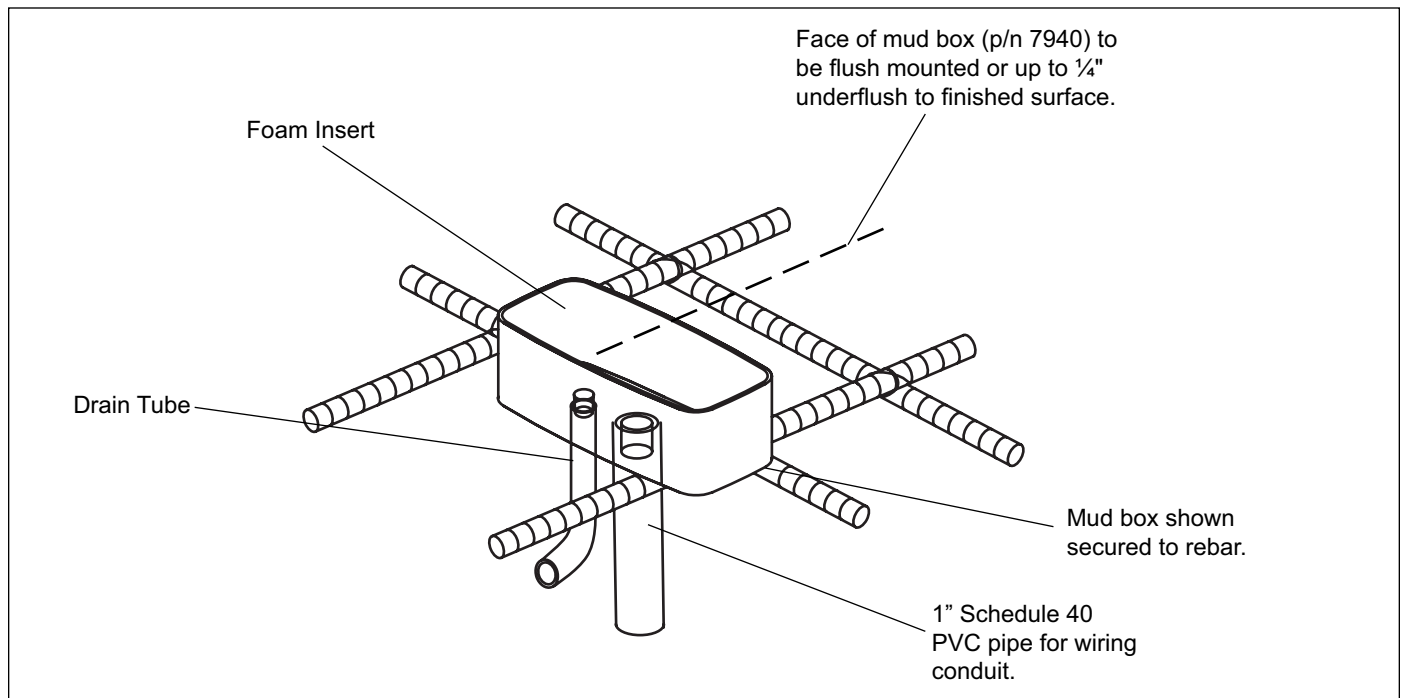


Figure 7. Horizontal Surface Rough-in Installation

Section 4. Wiring Configuration Installation

4.1 Bonding

Install the washer, bonding lug, and screw (included with the SpaLink package) to the Power Center enclosure. Connect the bond lug, using a #8 (minimum) solid copper core wire, to an approved earth ground (an approved ground stake, grid, or conducting metal water pipe buried to a sufficient depth).

⚠ WARNING

The bonding connection from the Power Center cabinet to an approved earth ground is intended to minimize the potential hazard of electrical shock to the user.

4.2 Control Wiring

The wires coming from the SpaLink RS can be “doubled up” on the red terminal bar with the four wires coming from the Indoor Controller.

NOTE If you are installing more than two wires in each terminal, order and use a Jandy Multiplex PCB Kit, which includes the Multiplex Board (p/n 6584). Never put more than two wires into each of the pins of the terminal bar.

Up to three SpaLink Controls can be installed on one AquaLink RS system. Each SpaLink installed must be uniquely “addressed” for the system to properly recognize it. This is done by changing the white wire connection for each SpaLink installed. Follow the guide below:

- First SpaLink RS - White wire paired with green wire
- Second SpaLink RS - White wire paired with red wire
- Third SpaLink RS - White wire not installed (cut off and cap end of wire)

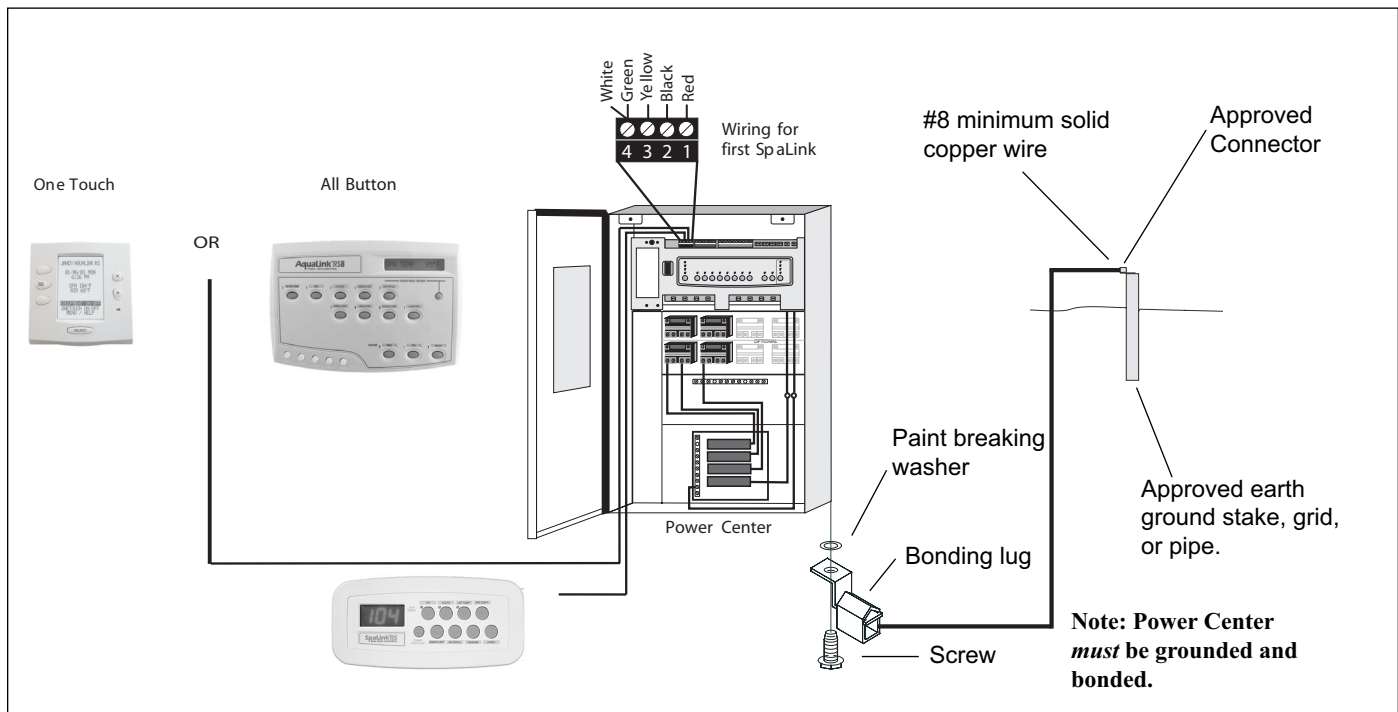


Figure 8. Wiring Configuration

Section 5. Operating the SpaLink RS

If Rev. G PPD is installed on the RS Power Center PCB, three dashed lines across the L.E.D. display indicate that the spa is not on. If Rev. H PPD or later is installed, the display will read “OFF”. To display water temperature, turn on the spa. It takes approximately 60 seconds for the water temperature to appear.

Three dots at the bottom of the L.E.D. display indicate that the display is in “Sleep” mode. To wake up the display, press the **Temp Display** button.

When the spa is on, press the **Temp Display** button to cycle the display from Water Temperature of the spa to “Sleep” mode, to Thermostat Setting, and then to Air Temperature.

When the spa is on and the thermostat mode is activated, the display will flash. The temperature setting can then be changed by pressing the up or down arrows. The maximum temperature is 104° F.

When Air Temperature is displayed, the L.E.D. in the upper right hand corner of the display will be lit.



Figure 9. Operating the SpaLink RS Buttons

Button	Button Factory Default Settings <i>RS Combo and Dual Models</i>	Button Factory Default Settings <i>Pool or Spa Only Models</i>
○	SPA	Filter Pump
○○	SPA HTR	TEMP 1
○ ○○	AUX 1	AUX 1
○○ ○○	AUX 2	AUX 2
△	AUX 3	AUX 3
▽	AUX 4	AUX 4
▮	AUX 5	AUX 5
▭	AUX 6	AUX 6

NOTE: At the AquaLink® RS Indoor Controller, the buttons can be “reprogrammed” to change the settings.

Section 6. Programming the SpaLink RS

6.1 Using the All Button

The All Button SpaLink Menu allows you to define which equipment is controlled by the buttons on the SpaLink RS. You may want to write down your SpaLink button assignments so that you can label the buttons on the switch with the label pack provided.

1. On the All Button, press the **MENU** button, then press the **BACK** arrow button. Scroll through the menu to **SYSTEM SETUP**.
2. Press **ENTER**. Then press **FORWARD** to **SPALINK** and press **ENTER** again.

NOTE If only one SpaLink is installed, press ENTER when 1 SPALINK is displayed. If a second or third SpaLink is installed, use the FORWARD or BACK buttons to move from 1 SpaLink to 2 SpaLinks or 3 SpaLinks. When the number of SpaLinks installed is displayed, press ENTER.

3. The All Button display will read **SELECT DEVICE FOR BUTTON 1**. Press the button on the Controller for the piece of equipment that you want to control from the first button of the SpaLink (for example, the Spa button). It is not necessary to press **ENTER** after your selection.

NOTE If there is more than one SpaLink installed in the system, the buttons on the second SpaLink will be buttons 9 through 16 and the buttons on the third SpaLink will be buttons 17 through 24.

4. Repeat this process for each remaining button on the SpaLink. When you have finished, the All Button display will show the settings for each button.

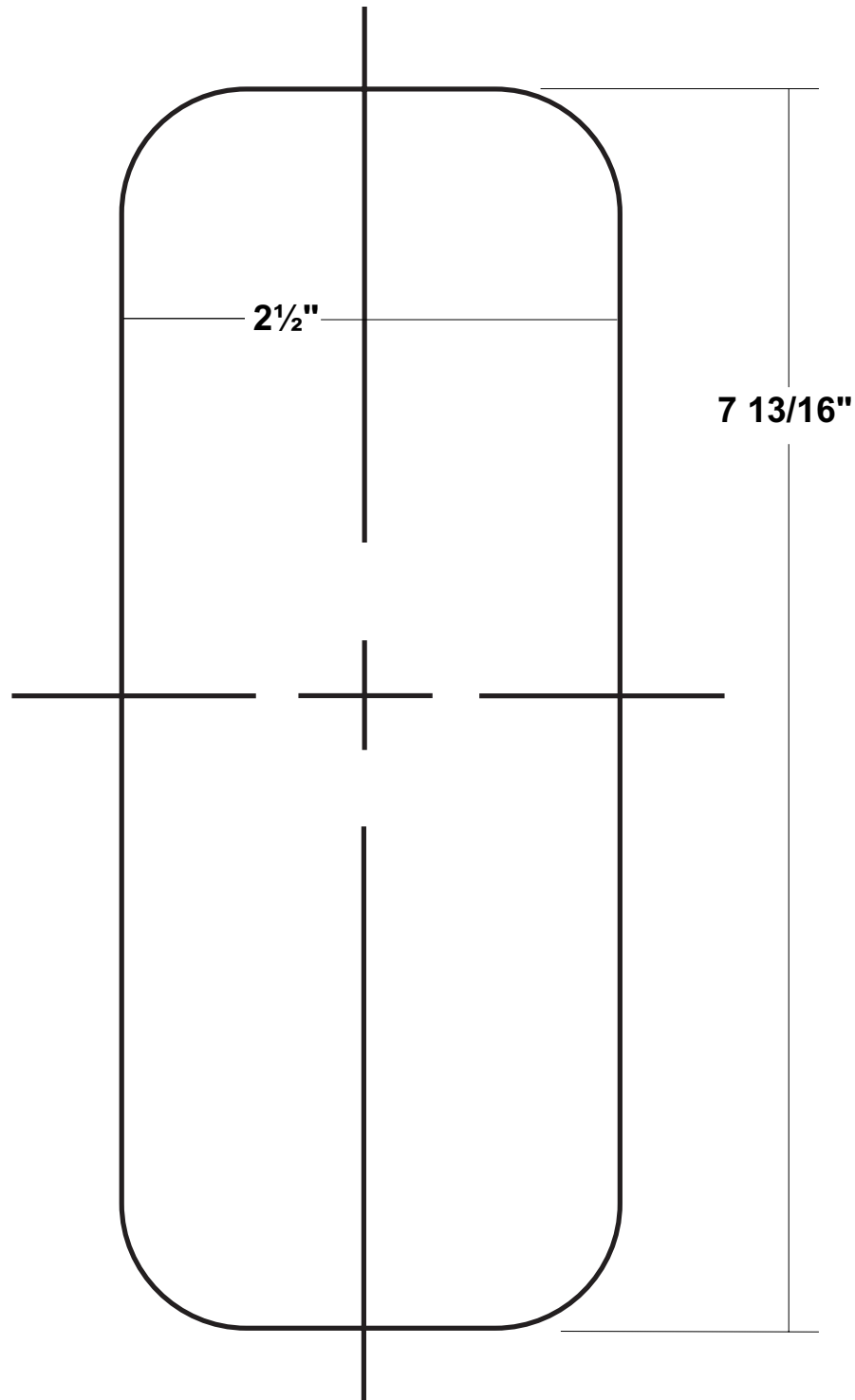
6.2 Using the OneTouch

Like the All Button, the OneTouch SpaLink Menu allows you to define which equipment is controlled by the buttons on the SpaLink RS.

1. On the OneTouch, press the **DOWN** arrow button to scroll down to **MENU/HELP**. Press **SELECT**.
2. Scroll through the menu to **SYSTEM SETUP**. Press **SELECT**.
3. Scroll through the menu to **SPALINK** and press **SELECT** again. The **SPALINK SETUP** screen appears. Scroll to the number of SpaLinks installed, then press **SELECT**.
4. The OneTouch display will read **SPALINK BUTTON SETUP**. Scroll to the button that you want to control on the selected SpaLink and press **SELECT**. For example, if you want to assign a piece of equipment to button 3 on the second SpaLink, then scroll to **2:3** and press **SELECT**.

NOTE The SpaLink button selections are designated as 1:1 through 1:8. If more than one SpaLink is installed in the system, the buttons on the second SpaLink will be 2:1 through 2:8 and the buttons on the third SpaLink will be 3:1 through 3:8.

5. Scroll to the piece of equipment (for example, the filter pump) that you want to assign to the selected button of the SpaLink and press **SELECT**.
6. Repeat this process for each remaining button on the SpaLink. When you have finished, the OneTouch display will show the settings for each button.

Template for Installation of SpaLink with Snap-on Frame Only

Remove page and cut out center of template. Use remaining outer template to locate and mark the outline of the hole to be cut.

NOTES

LIMITED WARRANTY

Thank you for purchasing Jandy® pool and spa products. Waterpik Technologies (manufacturer of Jandy products, including Laars® pool and spa heaters, Air Energy Heat Pumps, and Clormatic Electronic Chlorine Generators) warrants all parts to be free from manufacturing defects in materials and workmanship for a period of one year from the date of retail purchase, with the following exceptions:

- AquaLink® RS units installed with Jandy Surge Protection Kits will be covered for two years.
- NeverLube® valves are warranted for the life of pool and/or spa on which they were originally installed.
- AquaPure™ Electronic Chlorine Generator Electrolytic Cells carry a 5 year limited warranty on a prorated basis.

This warranty is limited to the first retail purchaser, is not transferable, and does not apply to products that have been moved from their original installation sites. The liability of Waterpik Technologies shall not exceed the repair or replacement of defective parts and does not include any costs for labor to remove and reinstall the defective part, transportation to or from the factory, and any other materials required to make the repair. This warranty does not cover failures or malfunctions resulting from the following:

1. Failure to properly install, operate or maintain the product(s) in accordance with our published Installation, Operation and Maintenance Manuals provided with the product(s).
2. The workmanship of any installer of the product(s).
3. Not maintaining a proper chemical balance in your pool and/or spa [pH level between 7.2 and 7.8, Total Alkalinity (TA) between 80 to 120 ppm, Total Dissolved Solids (TDS) less than 2000].
4. Abuse, alteration, accident, fire, flood, lightning, rodents, insects, negligence or acts of God.
5. Scaling, freezing, or other conditions causing inadequate water circulation.
6. Operating the product(s) at water flow rates outside the published minimum and maximum specifications.
7. Use of non-factory authorized parts or accessories in conjunction with the product(s).
8. Chemical contamination of combustion air or improper use of sanitizing chemicals, such as introducing sanitizing chemicals upstream of the heater and cleaner hose or through the skimmer.
9. Overheating, incorrect wire runs; improper electrical supply; collateral damage caused by failure of O-Rings, DE grids, or cartridge elements; or damage caused by running the pump with insufficient quantities of water.

LIMITATION OF LIABILITY:

This is the only warranty given by Waterpik Technologies. No one is authorized to make any other warranties on Waterpik Technologies' behalf. **THIS WARRANTY IS IN LIEU OF ALL OTHER WARRANTIES, EXPRESSED OR IMPLIED, INCLUDING BUT NOT LIMITED TO ANY IMPLIED WARRANTIES OF FITNESS FOR A PARTICULAR PURPOSE AND MERCHANTABILITY. WATERPIK TECHNOLOGIES EXPRESSLY DISCLAIMS AND EXCLUDES ANY LIABILITY FOR CONSEQUENTIAL, INCIDENTAL, INDIRECT OR PUNITIVE DAMAGES FOR BREACH OF ANY EXPRESSED OR IMPLIED WARRANTY.** This warranty gives you specific legal rights. You may also have other rights which vary by state or province.

WARRANTY CLAIMS:

For prompt warranty consideration, contact your dealer and provide the following information: proof of purchase, model number, serial number and date of installation. The installer will contact the factory for instructions regarding the claim and to determine the location of the nearest designated service center. If the dealer is not available, you can locate a service center in your area by visiting www.jandy.com or by calling our technical support department at (707) 776-8200 extension 260. All returned parts must have a Returned Material Authorization number to be evaluated under the terms of this warranty.

